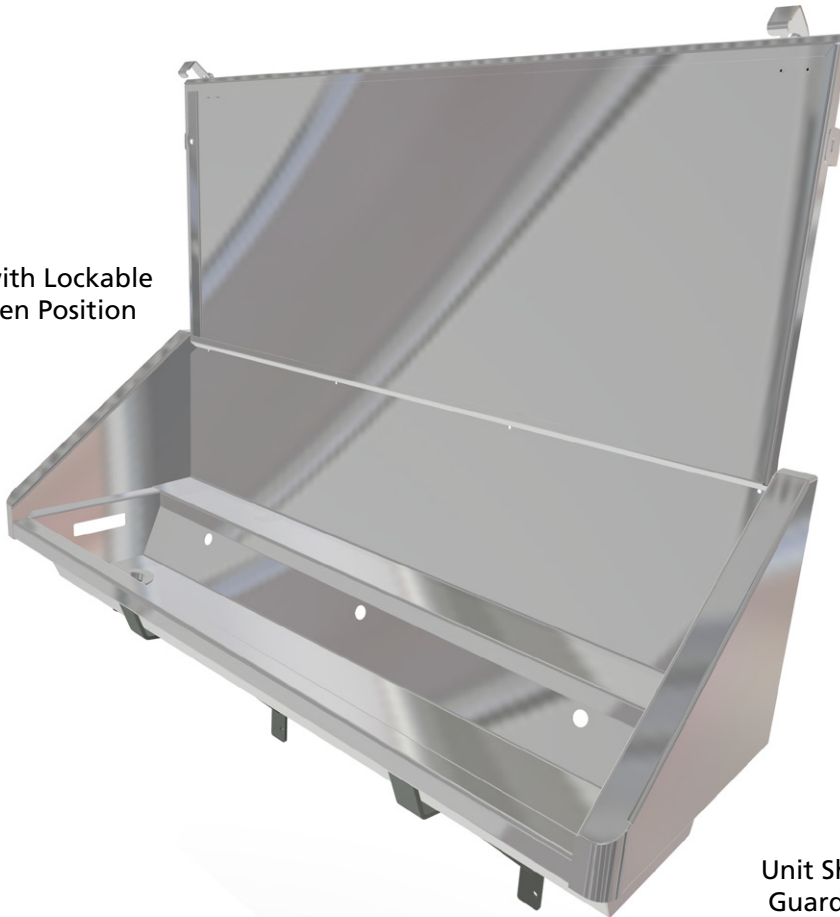
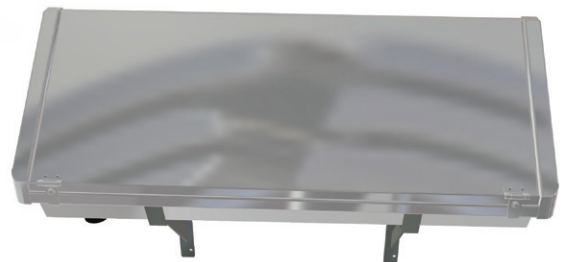


## WASH TROUGHS

## TROUGH GUARD

WTT1GU

Unit shown with Lockable  
Guard in Open PositionUnit Shown with Lockable  
Guard in Closed Position

## FEATURES

- Lockable Guard to Secure WTT1SB Trough & Tapware against Vandalism
- Radiused Corners at Front Fascia
- For ease of Installation Guard is factory fitted to Trough
- Supplied with Wall Mounting Brackets to secure the Guard in the Open Position
- Security is achieved with Client Supplied Padlock

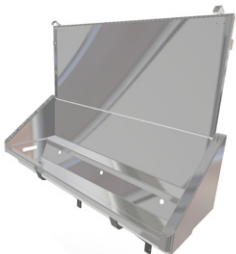
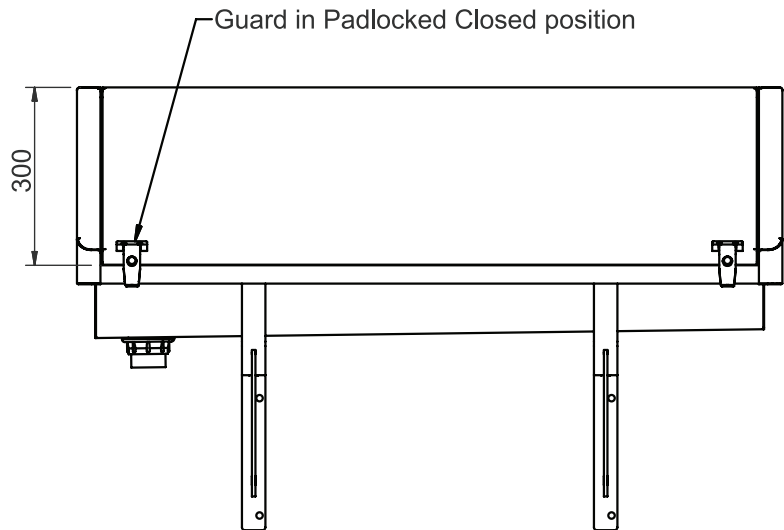
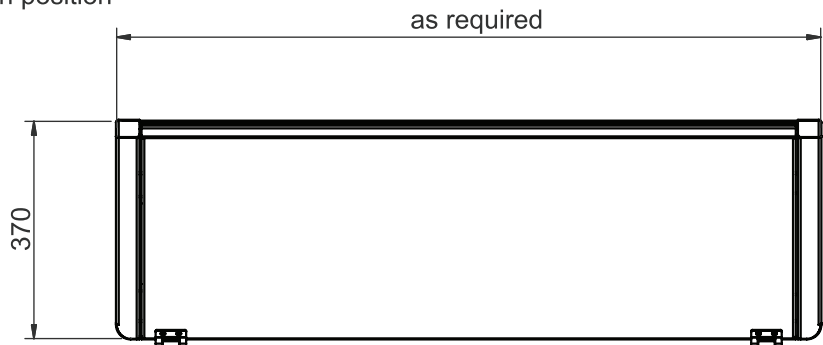
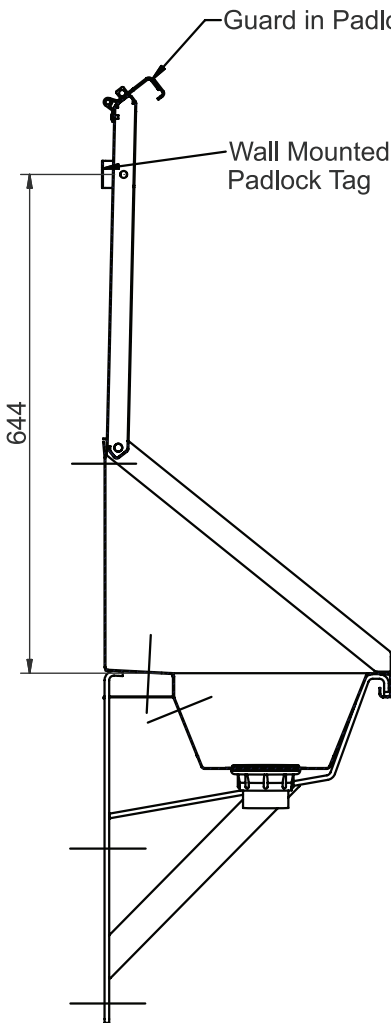
## OPTIONS

- Custom made - Length will vary depending on your application & Client. Please consult our Office
- Can be Supplied for Retro Fitting in situ to Existing Troughs
- Design Profile is variable to suit your Special Application

WASH TROUGHS

TROUGH GUARD

WTT1GU



**SPECIFICATIONS**

Stainless Steel Trough Guard shall be Model  
WTT1GU from Stainless Metal Craft.  
Phone 02 4735 5666