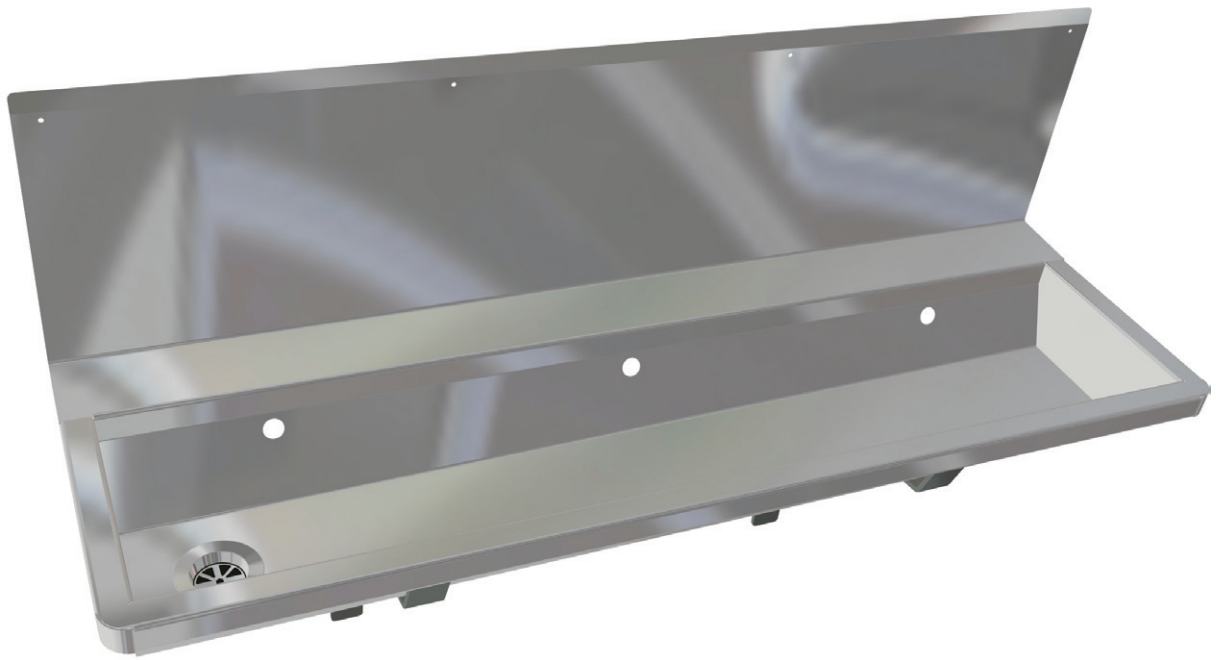


WASH TROUGHS

WALLSEND PATTERN TROUGH

WTT1SB

Unit Shown
Fully Optioned

FEATURES

- Integrated Splashback
- Suitable for Pillar Taps or Bubblers
- Radiused Corners to Front Fascia
- Rear Hob to Conceal Plumbing
- Wall Mounting Brackets Supplied
- 50mm Plug & Waste Supplied

OPTIONS

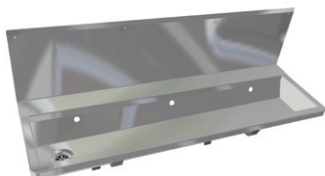
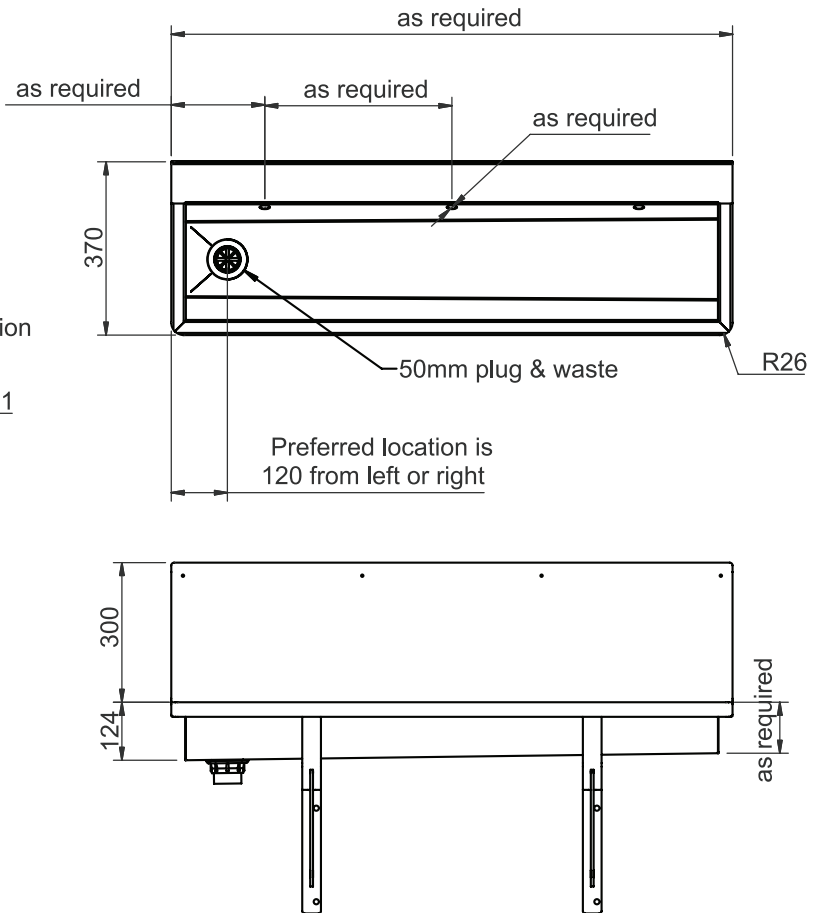
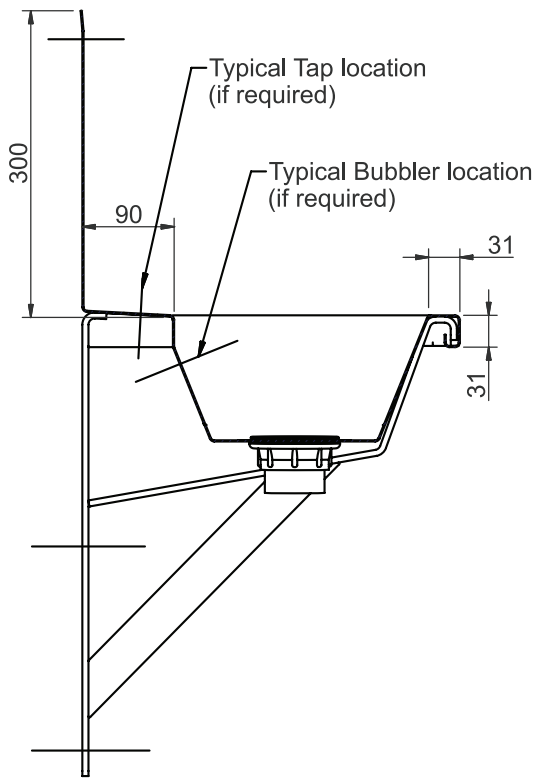
- Custom made - Length, Tapware & Drainage will vary depending on your application & Client. Please consult our Office
- Available with a 20mm Splashback
- Design Profile is variable to suit your Special Application
- Pre-plumbed with your choice of Tapware

WASH TROUGHS

WALLSEND PATTERN TROUGH

WTT15B

Typical length is to allow a minimum 400mm per person



SPECIFICATIONS

Stainless Steel Wallsend Pattern Trough shall be Model WTT15B from Stainless Metal Craft.
 Phone 02 4735 5666