

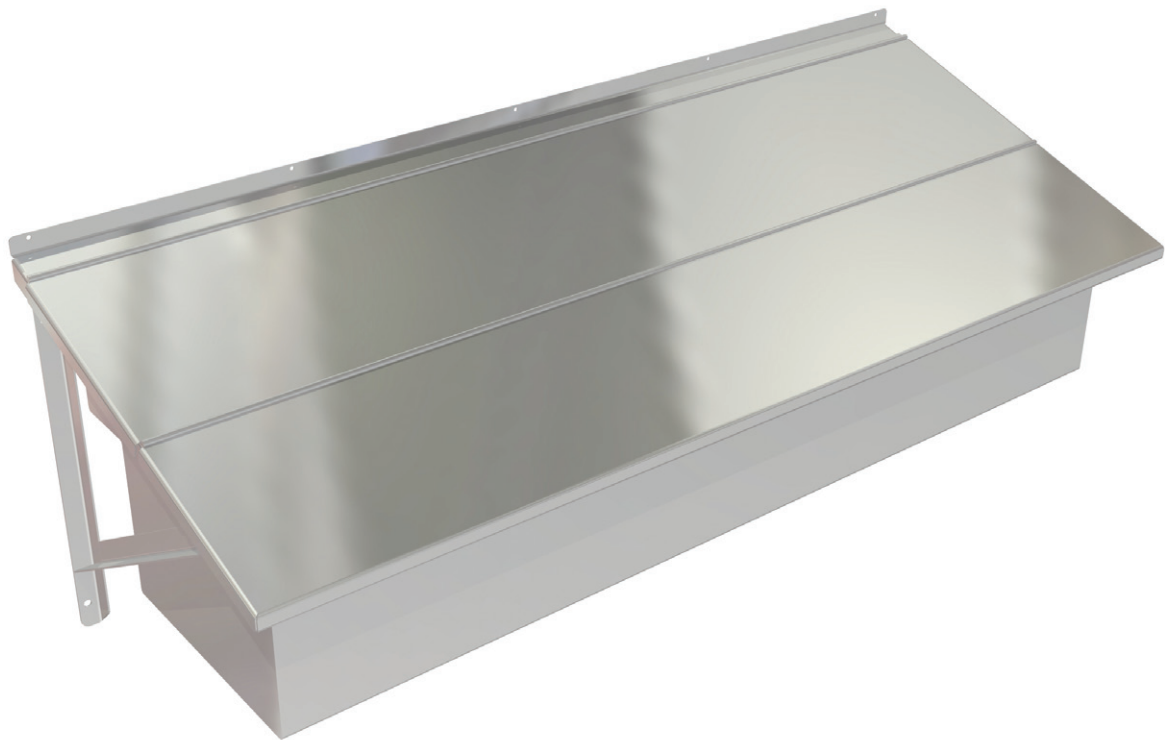


Stainless Metal Craft (Aust) Pty Ltd
6 Bromley Road, Emu Plains NSW 2750
P. 02 4735 5666 F. 02 4735 7950
E. info@smcstainless.com.au
www.smcstainless.com.au

WASH TROUGHS

WASH / CLEANING STATION

WTMH



FEATURES

- Manufactured in Grade 304 1.2mm Stainless Steel
- Supplied with Double Hinged Lid Cover
- Supplied with Wall Mounting Brackets
- Supplied with 50mm Plug & Washer

OPTIONS

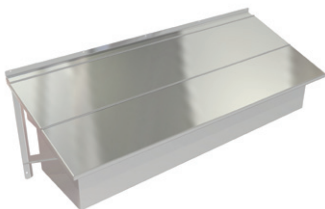
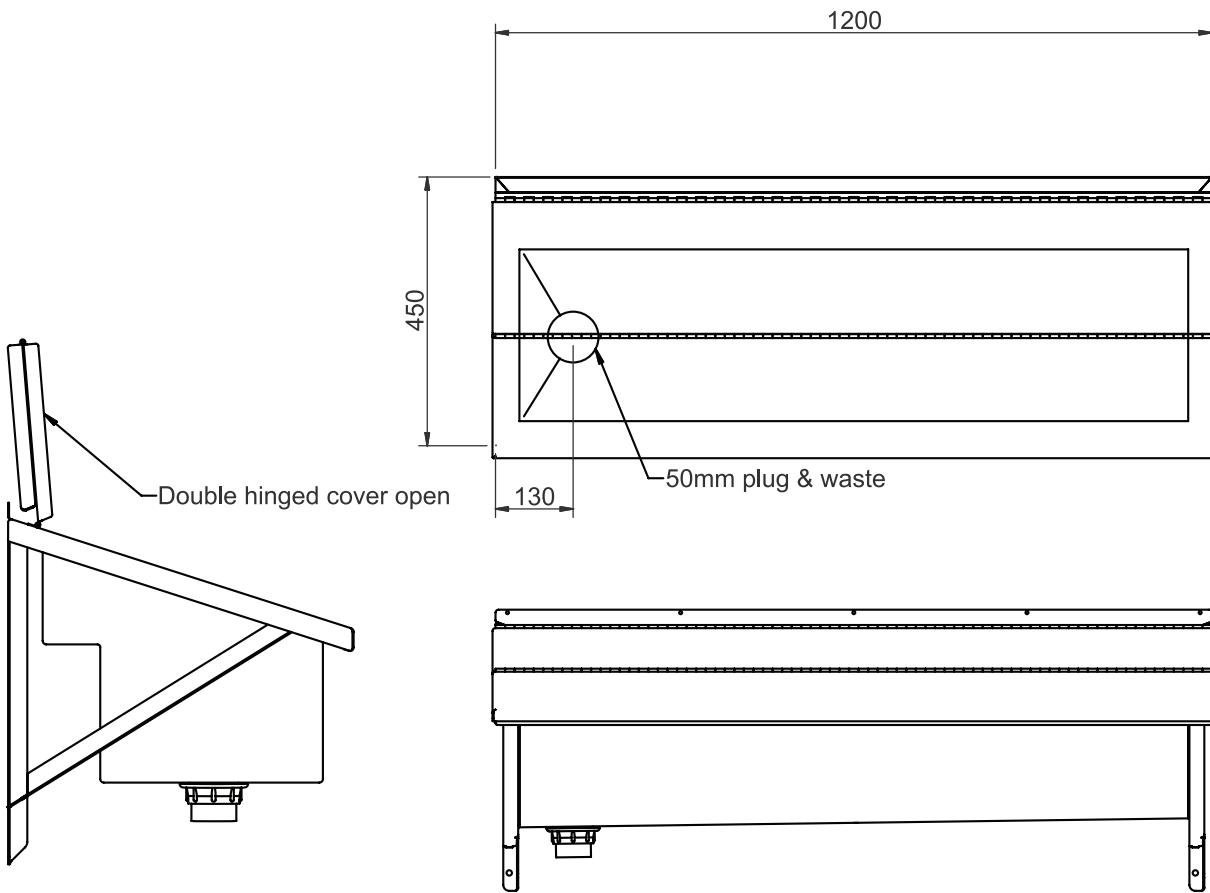
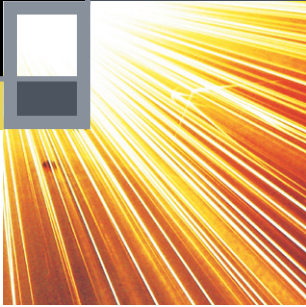
- Length as required
- End or Centre Outlet
- Tapholes as required



WASH TROUGHS

WASH / CLEANING STATION

WTMH



SPECIFICATIONS

Stainless Steel Wash / Cleaning Station shall be Model
WTMH from Stainless Metal Craft.
Phone 02 4735 5666