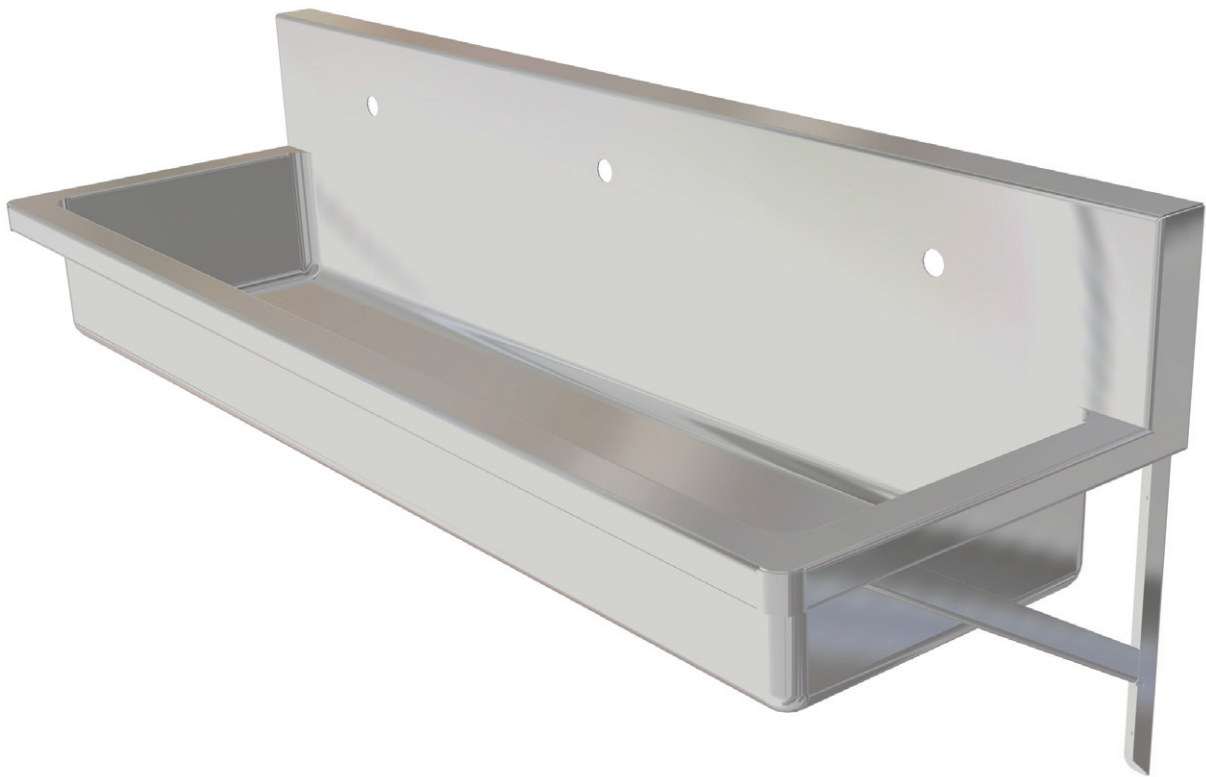


WASH TROUGHS

WASH TROUGH

WT7



FEATURES

- Full Radiused Internal Corners to Trough for ease of Cleaning & Improved Hygiene
- Radiused Corners to Front Fascia
- Integrated 150mm High Splashback with Wide Hob to Conceal Plumbing
- Wall Mounting Brackets Supplied
- 50mm Plug & Waste Supplied

OPTIONS

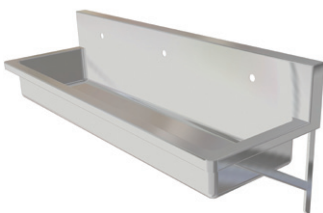
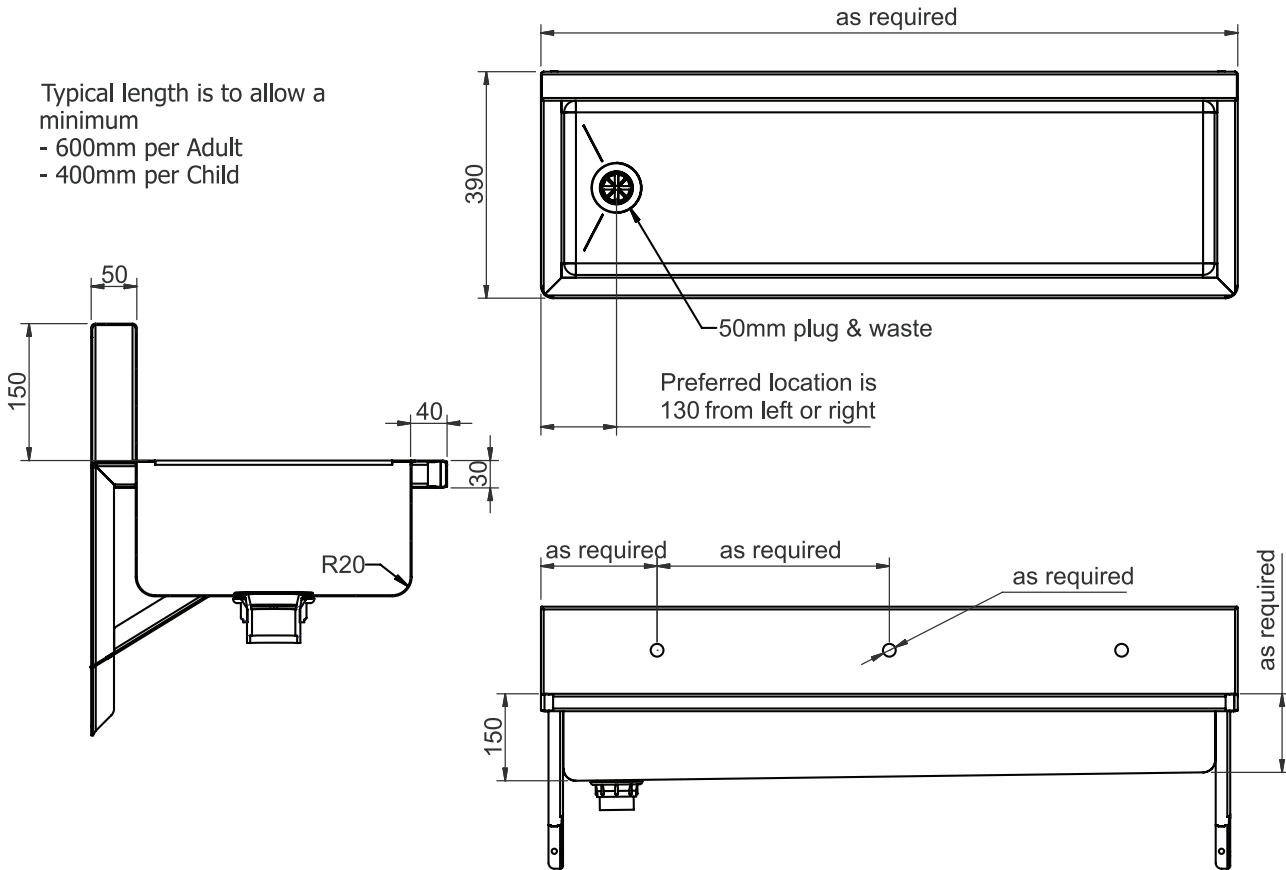
- Custom made - Length, Tapware & Drainage will vary depending on your application & Client. Please consult our Office
- Design Profile is variable to suit your Special Application
- Pre-Plumbed with your choice of Tapware

WASH TROUGHS

WASH TROUGH

WT7

Typical length is to allow a minimum
- 600mm per Adult
- 400mm per Child



SPECIFICATIONS

Stainless Steel Wash Trough shall be Model WT7 from
Stainless Metal Craft.
Phone 02 4735 5666