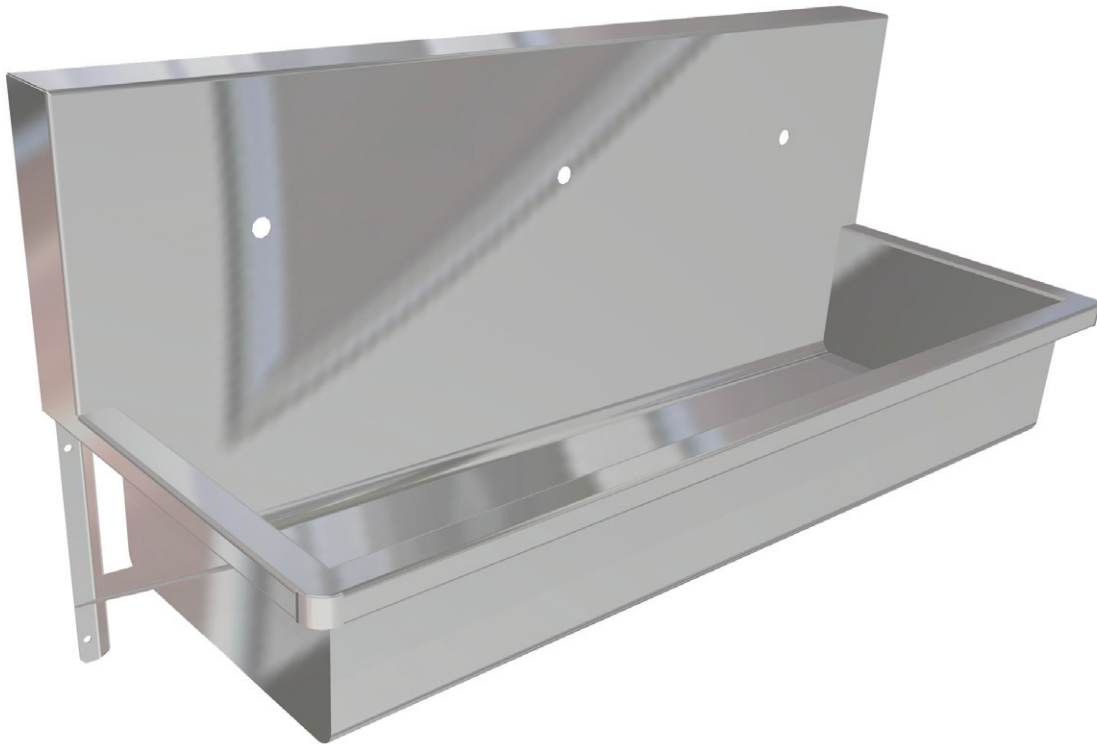


WASH TROUGHS

WASH TROUGH

WT6



FEATURES

- Integrated 300mm High Splashback with Wide Hob to Conceal Plumbing
- Radiused Corners to Front Fascia
- Wall Mounting Brackets Supplied
- 50mm Plug & Waste Supplied

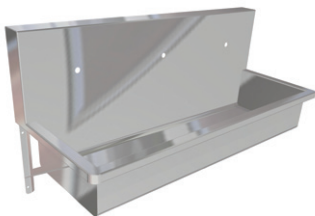
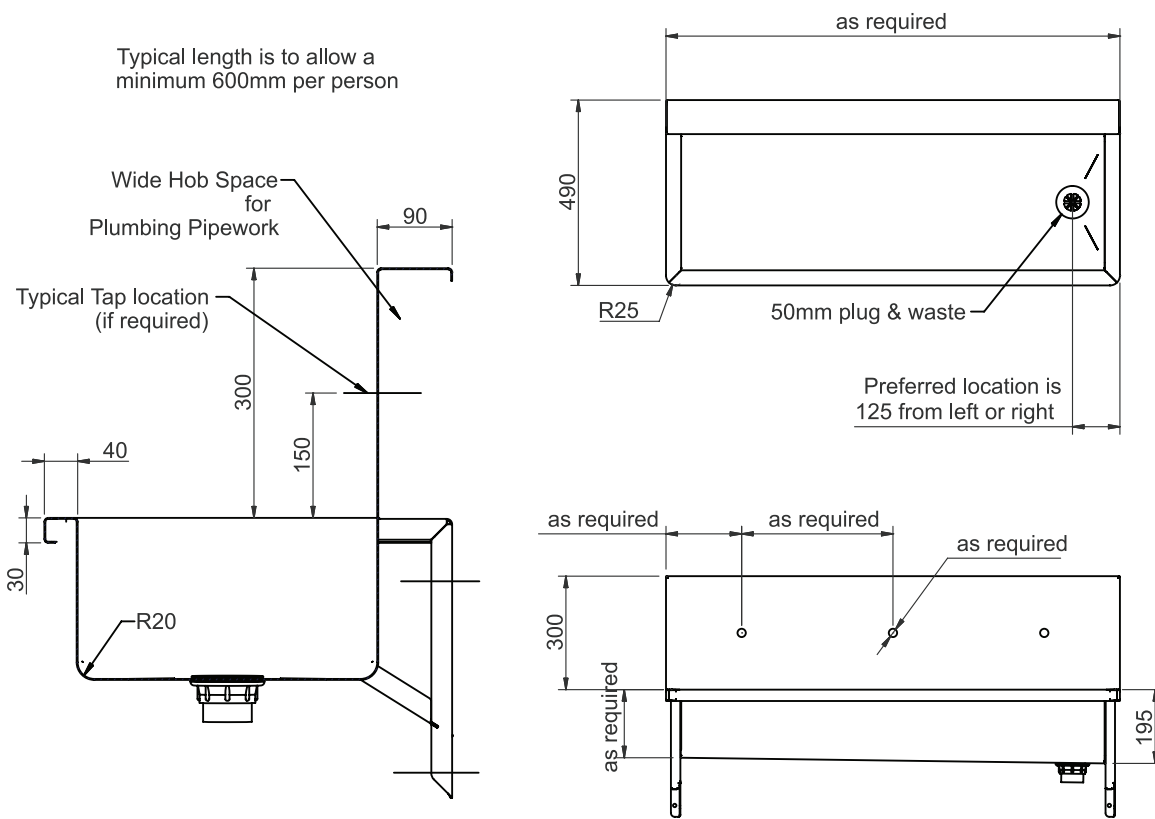
OPTIONS

- Custom made - Length, Tapware & Drainage will vary depending on your application & Client. Please consult our Office
- Design Profile is variable to suit your Special Application
- Pre-Plumbed with your choice of Tapware

WASH TROUGHS

WASH TROUGH

WT6



SPECIFICATIONS

Stainless Steel Wash Trough shall be Model WT6 from Stainless Metal Craft.
Phone 02 4735 5666