

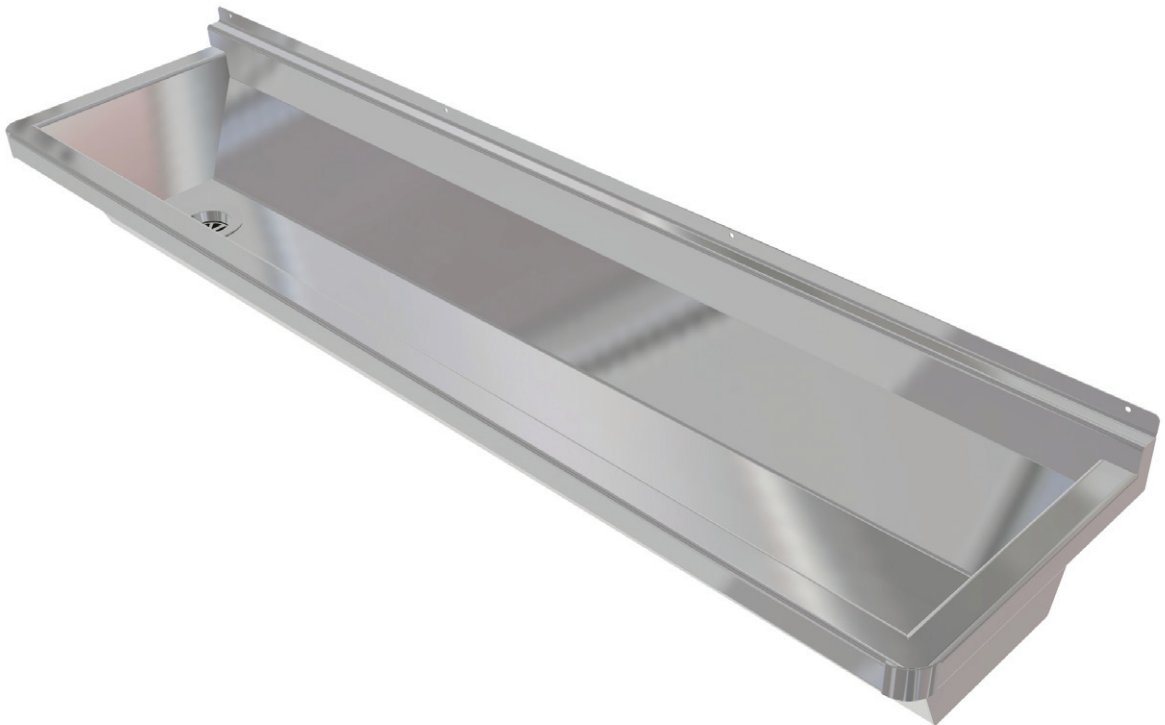


Stainless Metal Craft (Aust) Pty Ltd  
6 Bromley Road, Emu Plains NSW 2750  
P. 02 4735 5666 F. 02 4735 7950  
E. info@smcstainless.com.au  
www.smcstainless.com.au

## WASH TROUGHS

### WASH TROUGH

WT5



#### FEATURES

- Radiused Corners to Front Fascia
- Wall Mounting Brackets Supplied
- 50mm Plug & Waste Supplied

#### OPTIONS

- Custom made - Length, Tapware & Drainage will vary depending on your application & Client. Please consult our Office
- Design Profile is variable to suit your Special Application

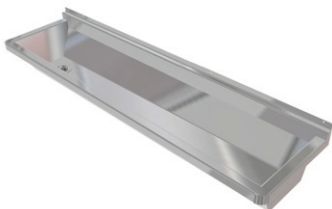
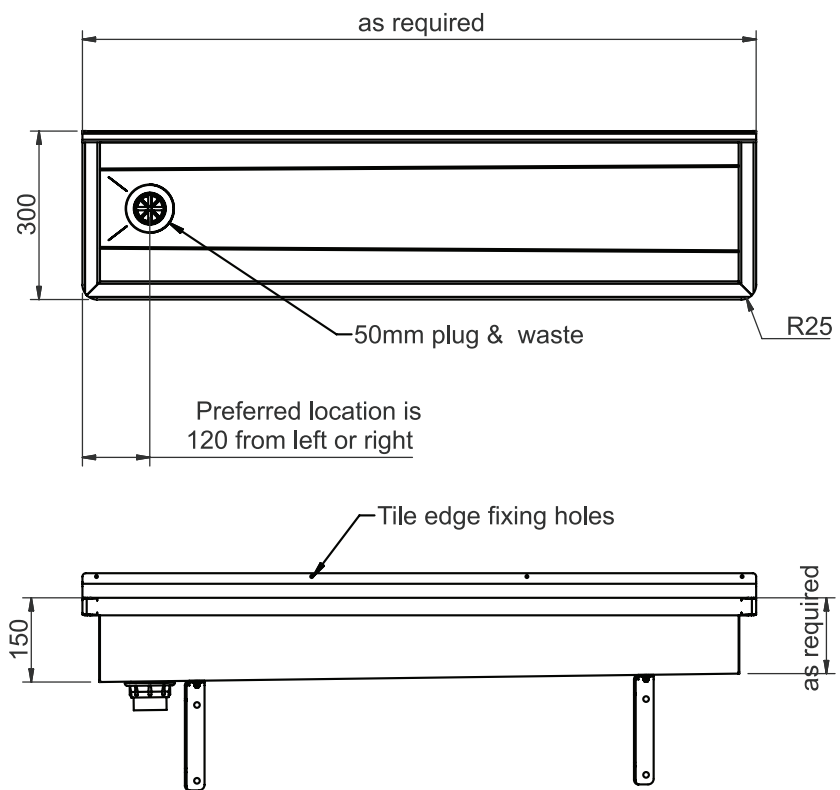
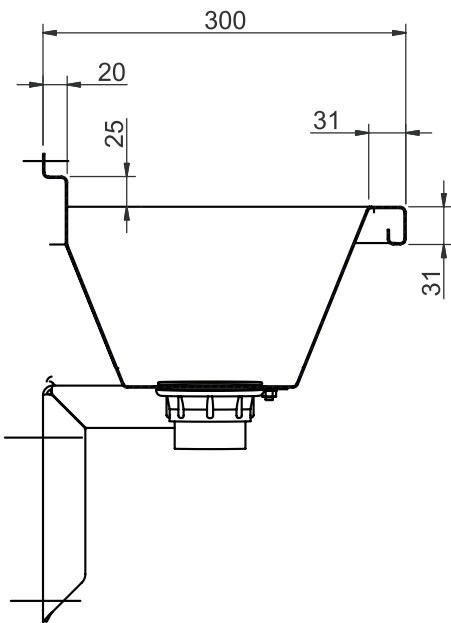


## WASH TROUGHS

### WASH TROUGH

#### WT5

Typical length is to allow a minimum:  
- 600mm per Adult  
- 400mm per Child



#### SPECIFICATIONS

Stainless Steel Wash Trough shall be Model WT5 from  
Stainless Metal Craft.  
Phone 02 4735 5666