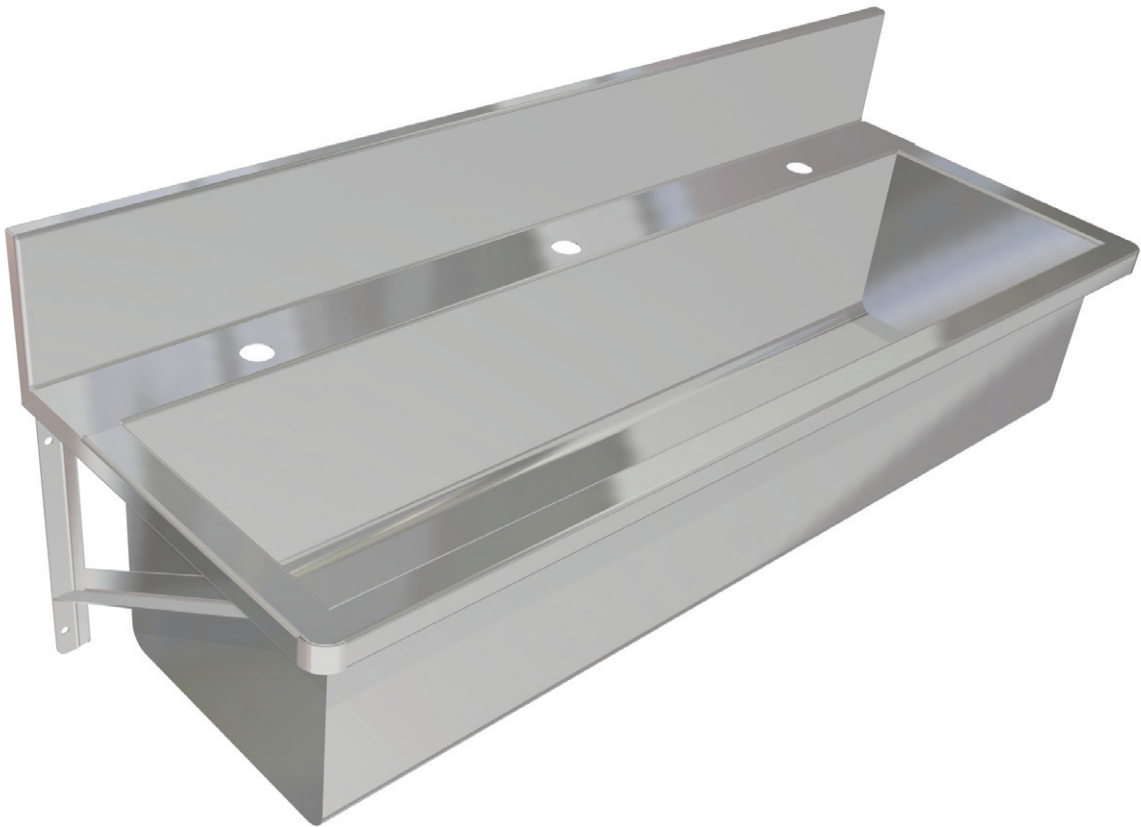


WASH TROUGHS

WASH TROUGH

WT4



FEATURES

- Extra Deep Trough
- Integrated Splashback
- Radiused Corners to Front Fascia
- Rear Hob to Conceal Plumbing
- Wall Mounting Brackets Supplied
- 50mm Plug & Waste Supplied

OPTIONS

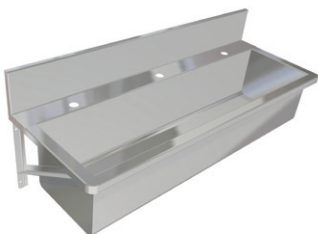
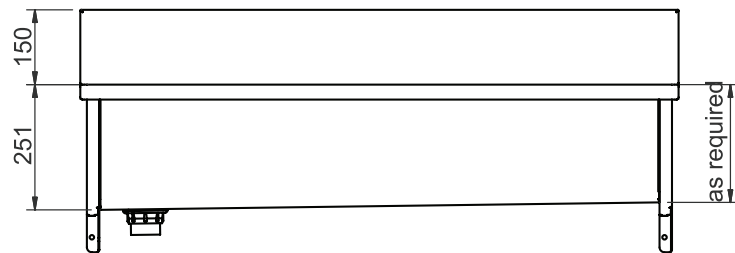
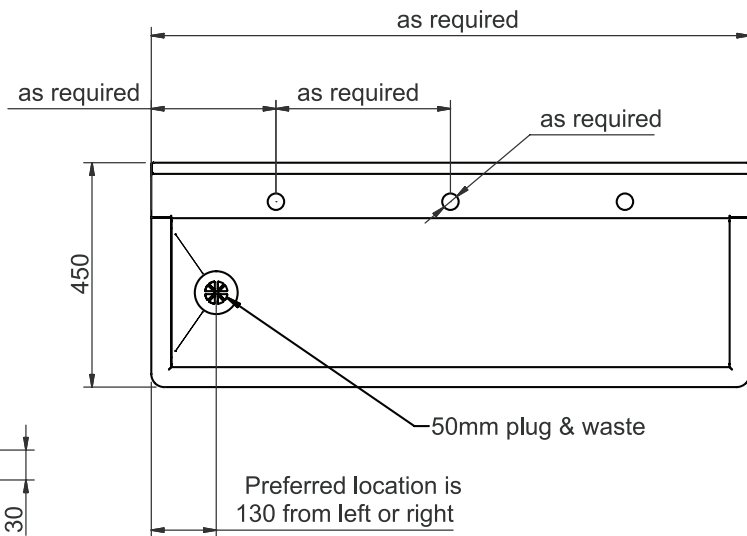
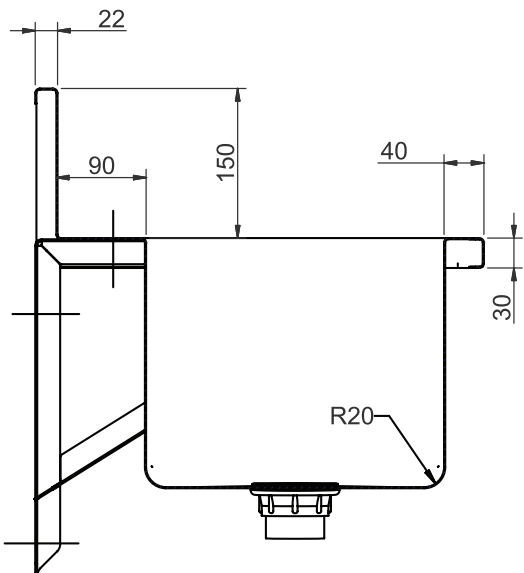
- Custom made - Length, Tapware & Drainage will vary depending on your application & Client. Please consult our Office
- Design Profile is variable to suit your Special Application
- Pre-plumbed with your choice of Tapware

WASH TROUGHS

WASH TROUGH

WT4

Typical length is to allow a minimum 600mm per person



SPECIFICATIONS

Stainless Steel Wash Trough shall be Model WT4 from Stainless Metal Craft.
 Phone 02 4735 5666