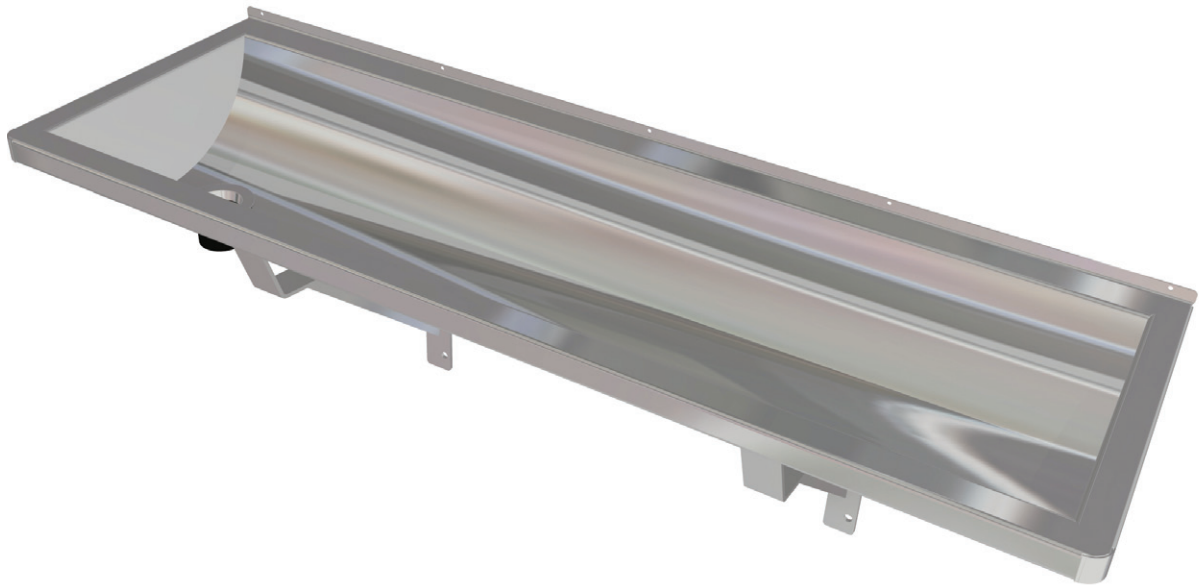


## WASH TROUGHS

### WASH TROUGH WT3



#### FEATURES

- Radiused Corners to Front Fascia
- Wall Mounting Brackets Supplied
- 50mm Plug & Waste Supplied

#### OPTIONS

- Custom made - Length & Drainage will vary depending on your application & Client. Please consult our Office
- Design Profile is variable to suit your Special Application

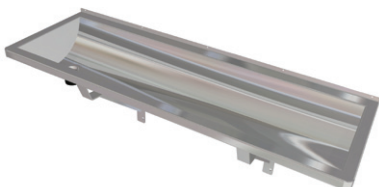
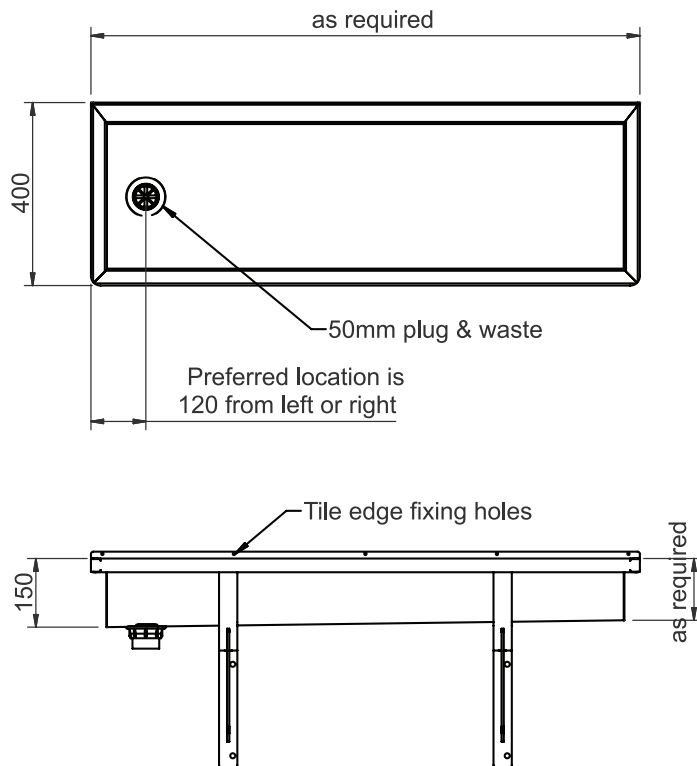
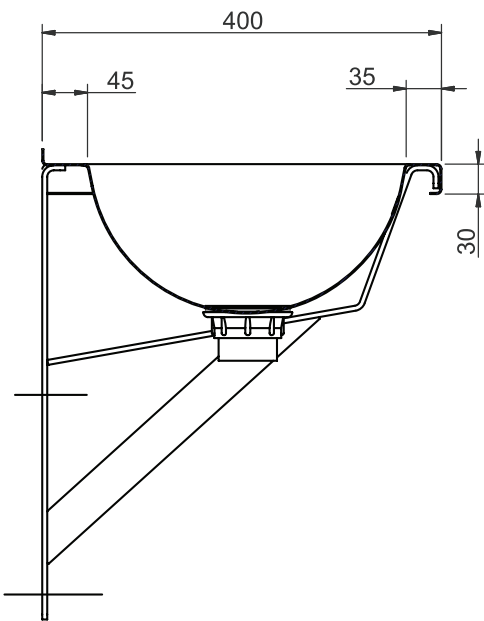


WASH TROUGHS

WASH TROUGH

WT3

Typical length is to allow a minimum 600mm per person



**SPECIFICATIONS**

Stainless Steel Wash Trough shall be Model WT3 from Stainless Metal Craft.  
Phone 02 4735 5666