

WASH TROUGHS

WASH STATION

WS1



Unit Shown with Hob Mounted Tapware

FEATURES

- Designed for Hands Free Operation using Kneewand operated Tapware
- Integrated Splashback
- Trough includes Integral Wall Mounted Frame and mounting points for Knee Wands
- Plumbing concealed within Trough Face Panel
- 50mm Plug & Waste Supplied

OPTIONS

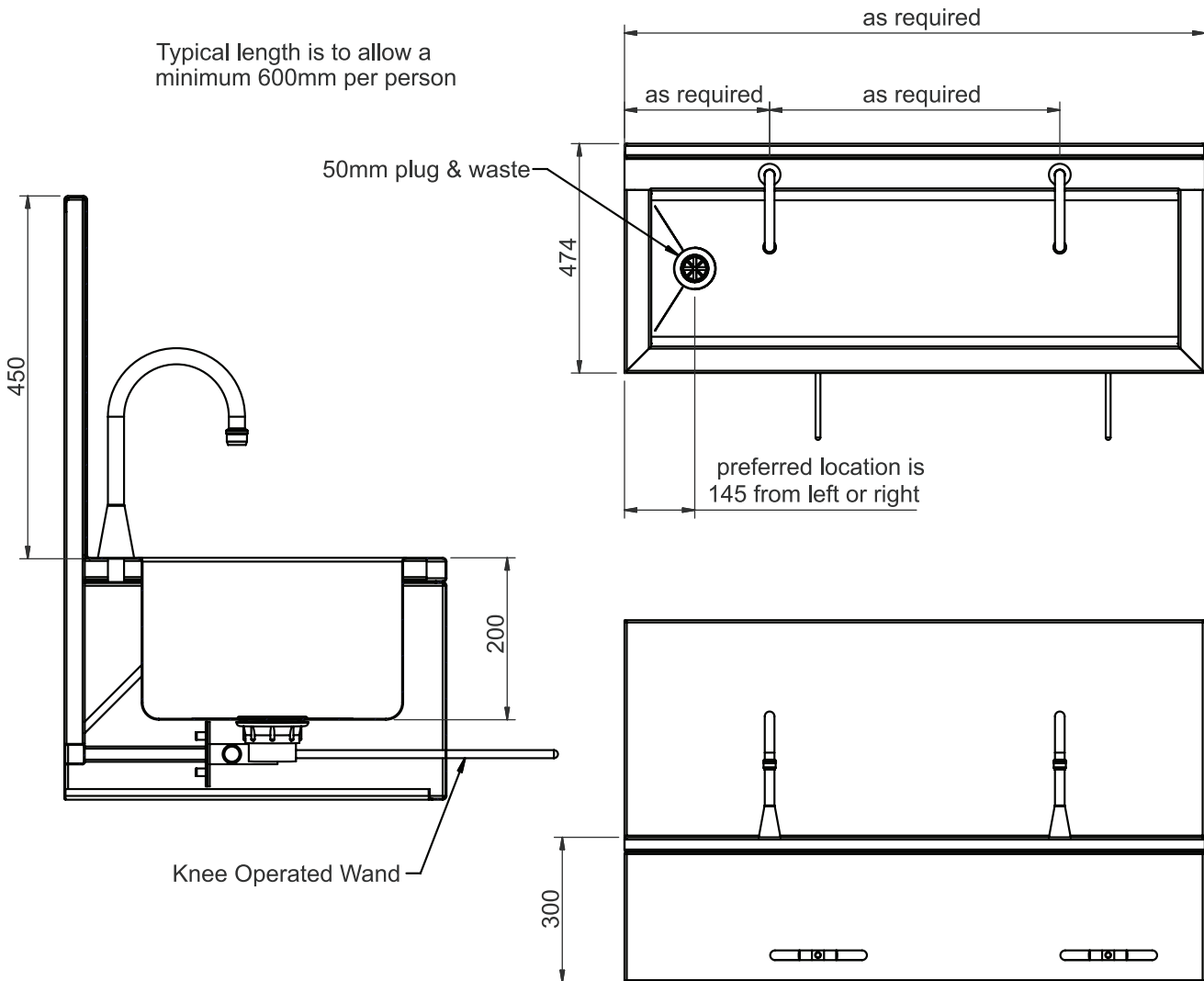
- Custom made – Length, Tapware (in Hob or Splashback) & Drainage will vary depending on your application & Client. Please consult our Office
- Design Profile is variable to suit your Special Application
- Available with return Splashbacks to each end (between walls)

WASH TROUGHS

WASH STATION

WS1

Typical length is to allow a minimum 600mm per person



SPECIFICATIONS

Stainless Steel Wash Station shall be Model WS1
from Stainless Metal Craft.
Phone 02 4735 5666