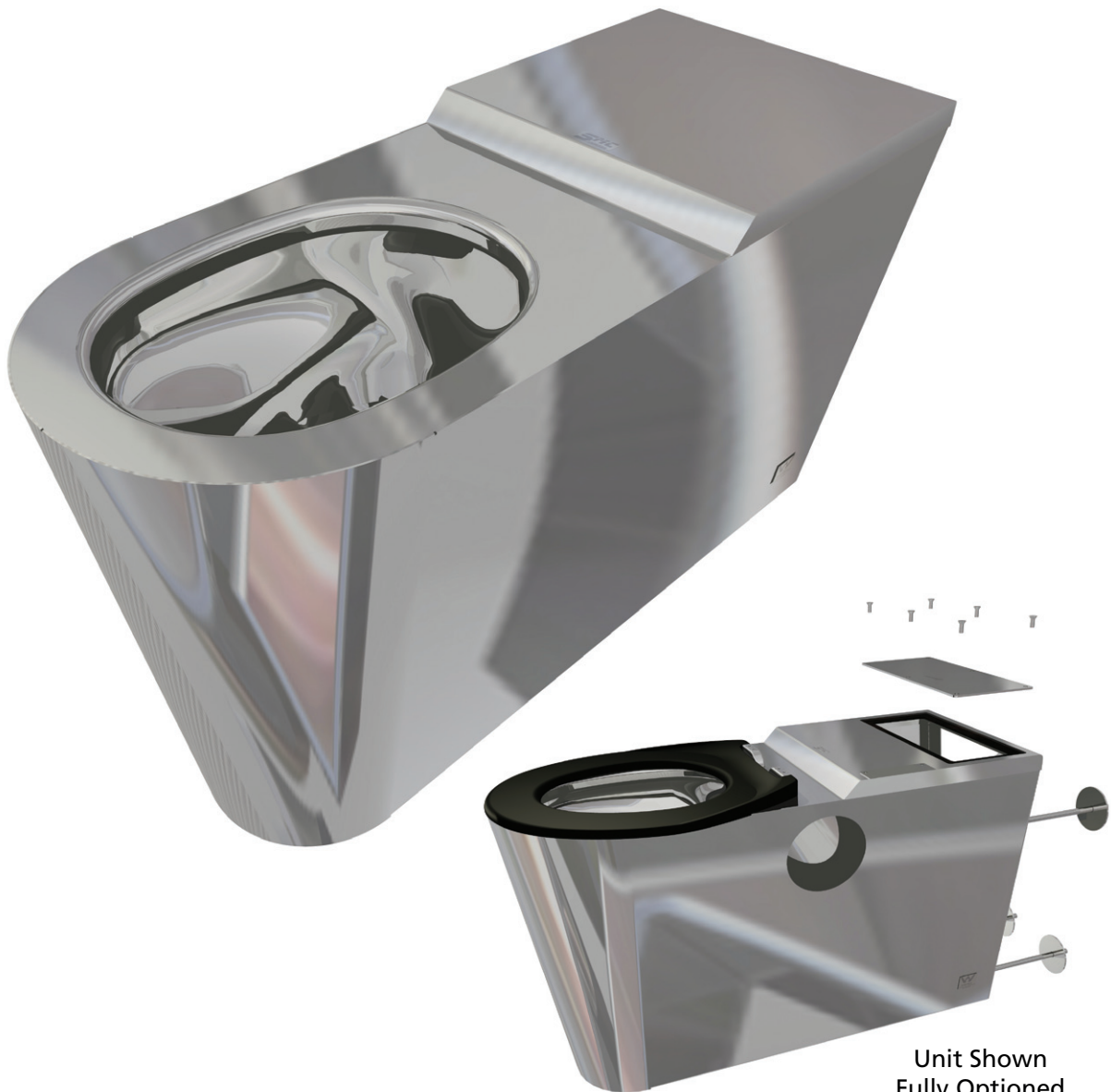


WALL FACE DISABLED PAN

WCWFD453



Unit Shown
Fully Optioned

FEATURES

- AS-1428 Compliant
- Constructed in 1.6mm Thick Stainless Steel
- Anti-Contraband Flushing Rim
- Concealed Fixings
- Standard 'P' Trap Waste, available with Adjustable 'S' Trap Connection
- Watermark Approved
- 4 Star WELS Rating

OPTIONS

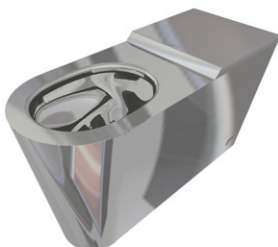
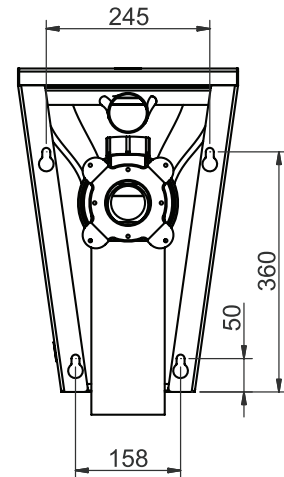
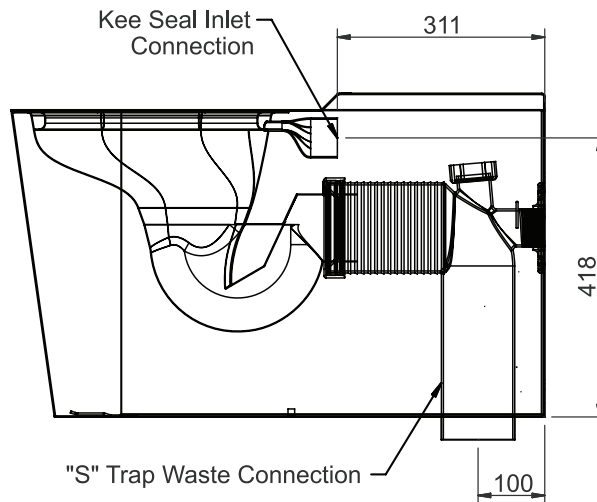
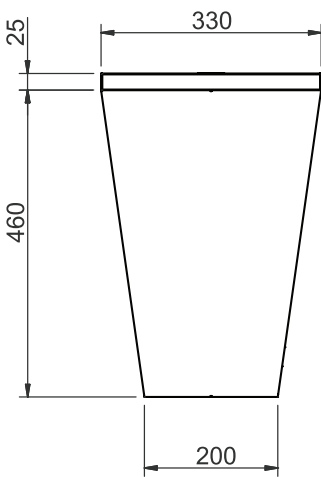
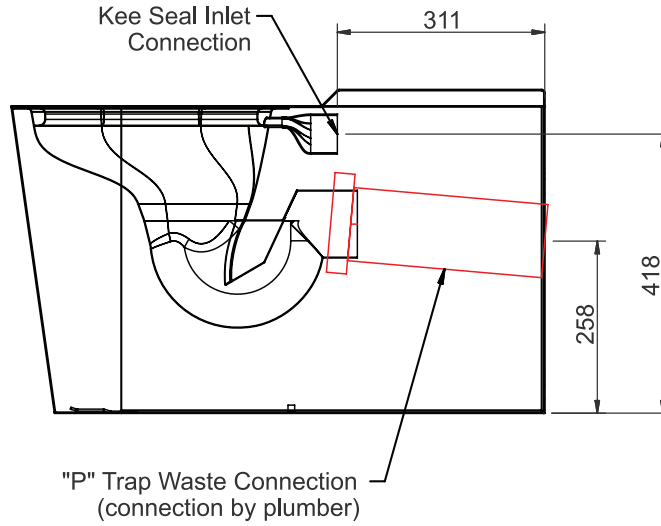
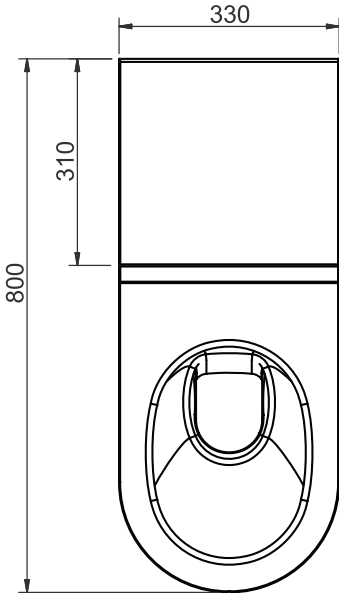
- Heavy Duty Construction - 3 & 2mm thick Material to Corrective Services Specification
- Access Panel to suit Services & Fixings
- Fixing Holes for Toilet Seat
- Inbuilt Toilet Roll Holder
- Fixing Methods
- Toilet Seats
- Cisterns & Flush Devices



WC PANS

WALL FACE DISABLED PAN

WCWFD453



SPECIFICATIONS

Stainless Steel Wall Face Disabled Pan shall be Model
 WCWFD453 from Opie Manufacturing Group
 Phone 02 4735 5666