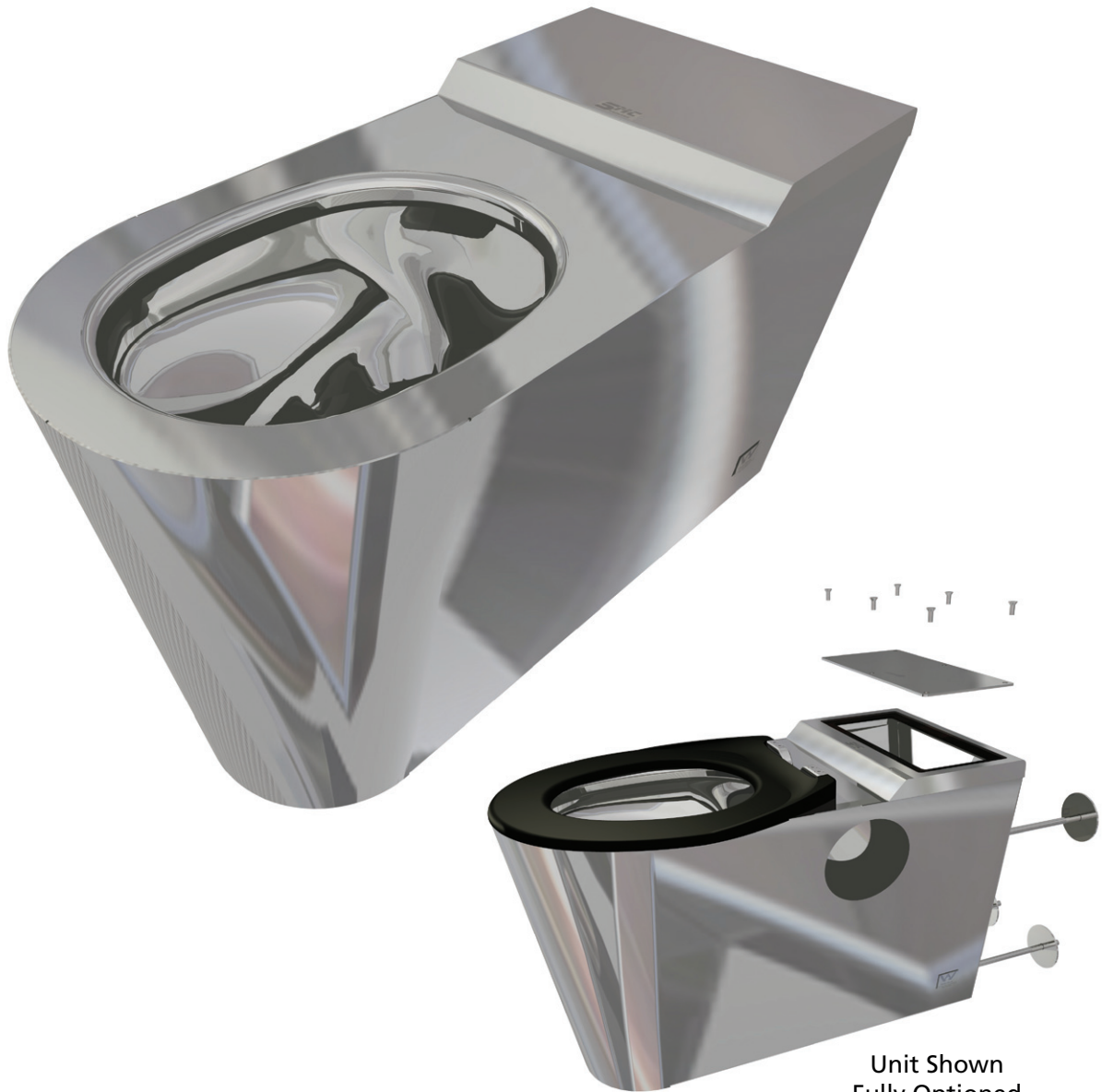
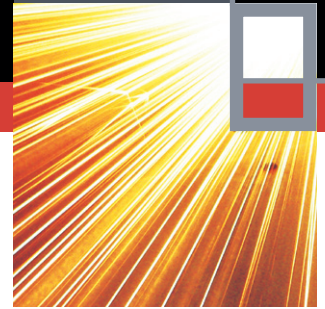


WC PANS

WALL FACE PAN

WCWF453



Unit Shown Fully Optioned

FEATURES

- Constructed in 1.6mm Thick Stainless Steel
- Anti-Contraband Flushing Rim
- Concealed Fixings to suit Application
- Standard 'P' Trap Waste, available with Adjustable 'S' Trap Connection
- Watermark Approved
- 4 Star Wels Rating

OPTIONS

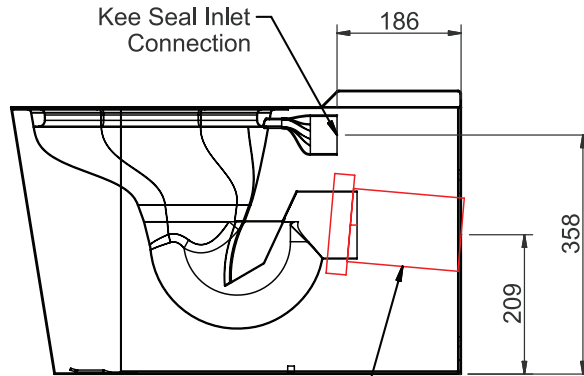
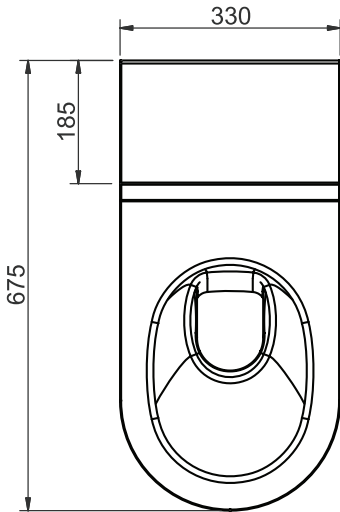
- Heavy Duty Construction - 3 & 2mm thickness to Corrective Services Specification
- Access Panel to suit Services & Fixings
- Fixing Holes for Toilet Seat
- Inbuilt Toilet Roll Holder
- Fixing Methods
- Toilet Seats
- Cisterns & Flush Devices



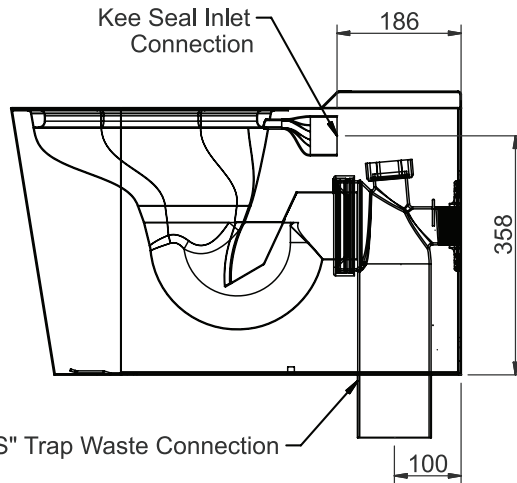
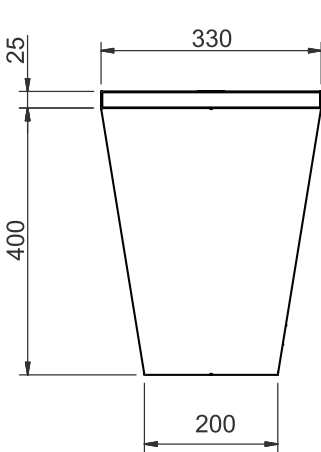
WC PANS

WALL FACE PAN

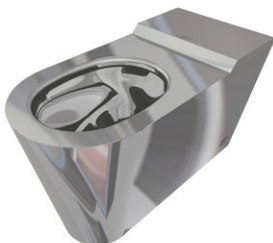
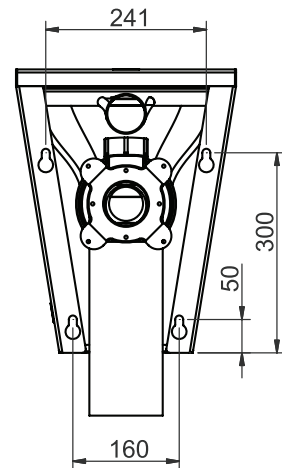
WCWF453



"P" Trap Waste Connection
 (connection by plumber)



"S" Trap Waste Connection



SPECIFICATIONS

Stainless Steel Wall Face Pan shall be Model
 WCWF453 from Opie Manufacturing Group
 Phone 02 4735 5666