

UNIVERSAL 'S' TRAP

UST



Unit Shown
Fully Optioned
UNIVERSAL 'P' TRAP
Model UPT

FEATURES

- Available in 3 sizes 40, 50 & 100
- Adjustable within the range shown on chart
- Quick release Tri Clover Clamp for Adjustment & Cleaning
- Spigot Inlet & Outlet connections

OPTIONS

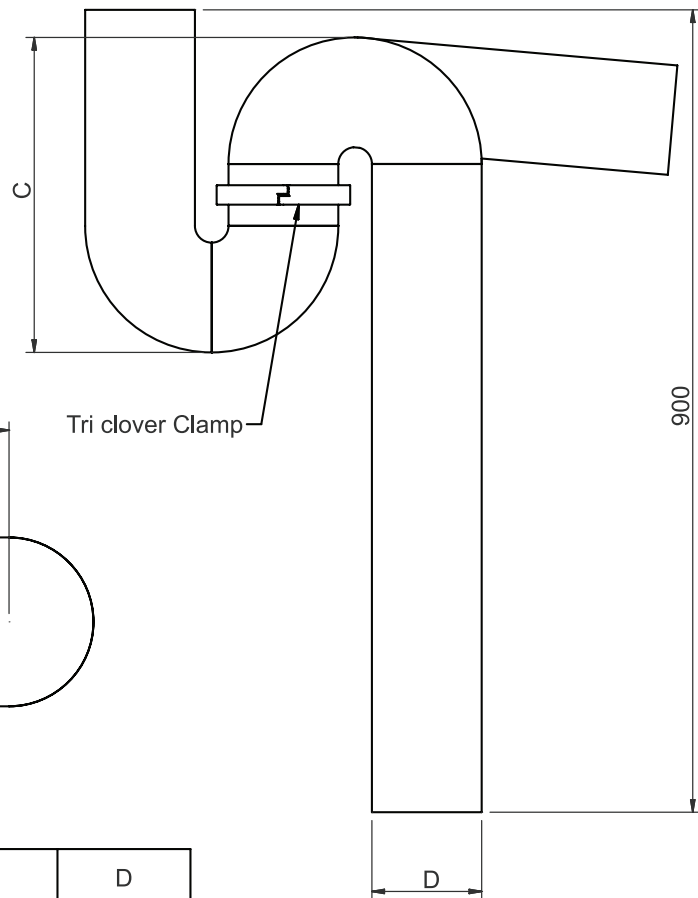
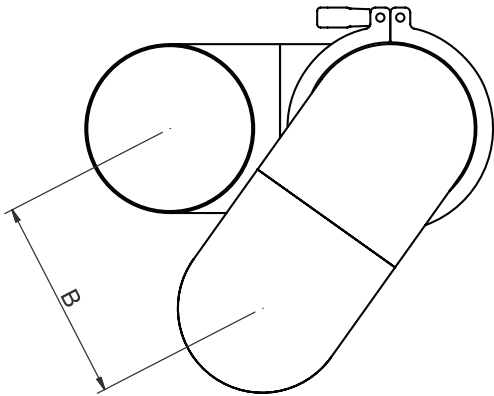
- Universal 'P' Trap Model UPT
- Quick release Tri Clover Clamp Inlet Connection
- Design Variable to suit your Special Application

WASTE TREATMENT, TRAPS & CONNECTIONS

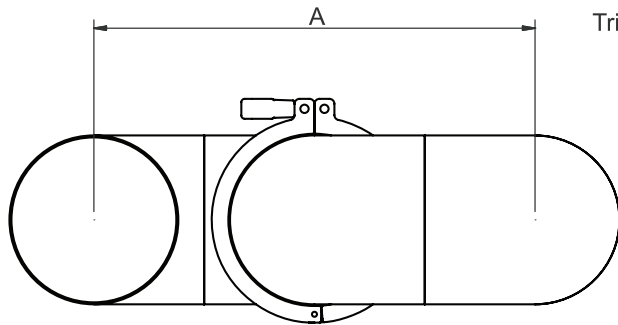
UNIVERSAL 'S' TRAP

UST

Trap Closed



Trap Open



Model	A	B	C	D
UST100	250	130	300	Ø101.6
UST50	290	80	270	Ø50.8
UST40	210	70	210	Ø38.1



SPECIFICATIONS

Stainless Steel Universal Trap shall be Model UST from Stainless Metal Craft.
 Phone 02 4735 5666