

RECESSED IN WALL TUNDISH

TURE2



FEATURES

- Removable Face Plate with Clear Perspex Viewing Window
- Will fit inside 90mm Wall Cavity

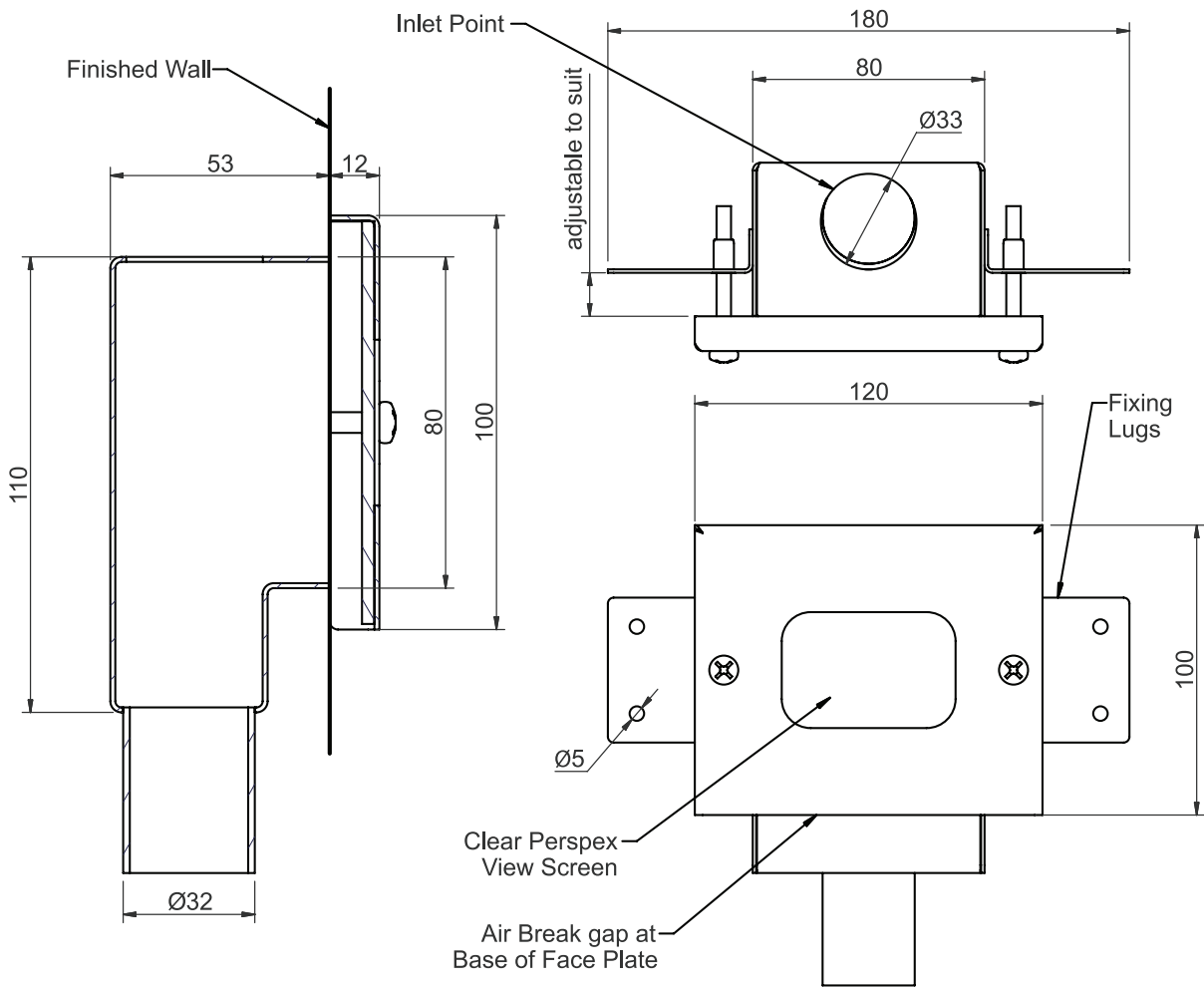
OPTIONS

- Marine Grade 316
- Other Face Plates Available (e.g. Solid or Letterbox Style)
- Design Profile is variable to suit your Special Application

TUNDISHES

RECESSED IN WALL TUNDISH

TURE2



SPECIFICATIONS

Stainless Steel Recessed in Wall Tundish Model TURE2
from Stainless Metal Craft.
Phone 02 4735 5666