

RECESSED IN WALL TUNDISH

TURE1



FEATURES

- Removable Clear Perspex Viewing Window
- Outlet connection is a 32mm BSP Nipple

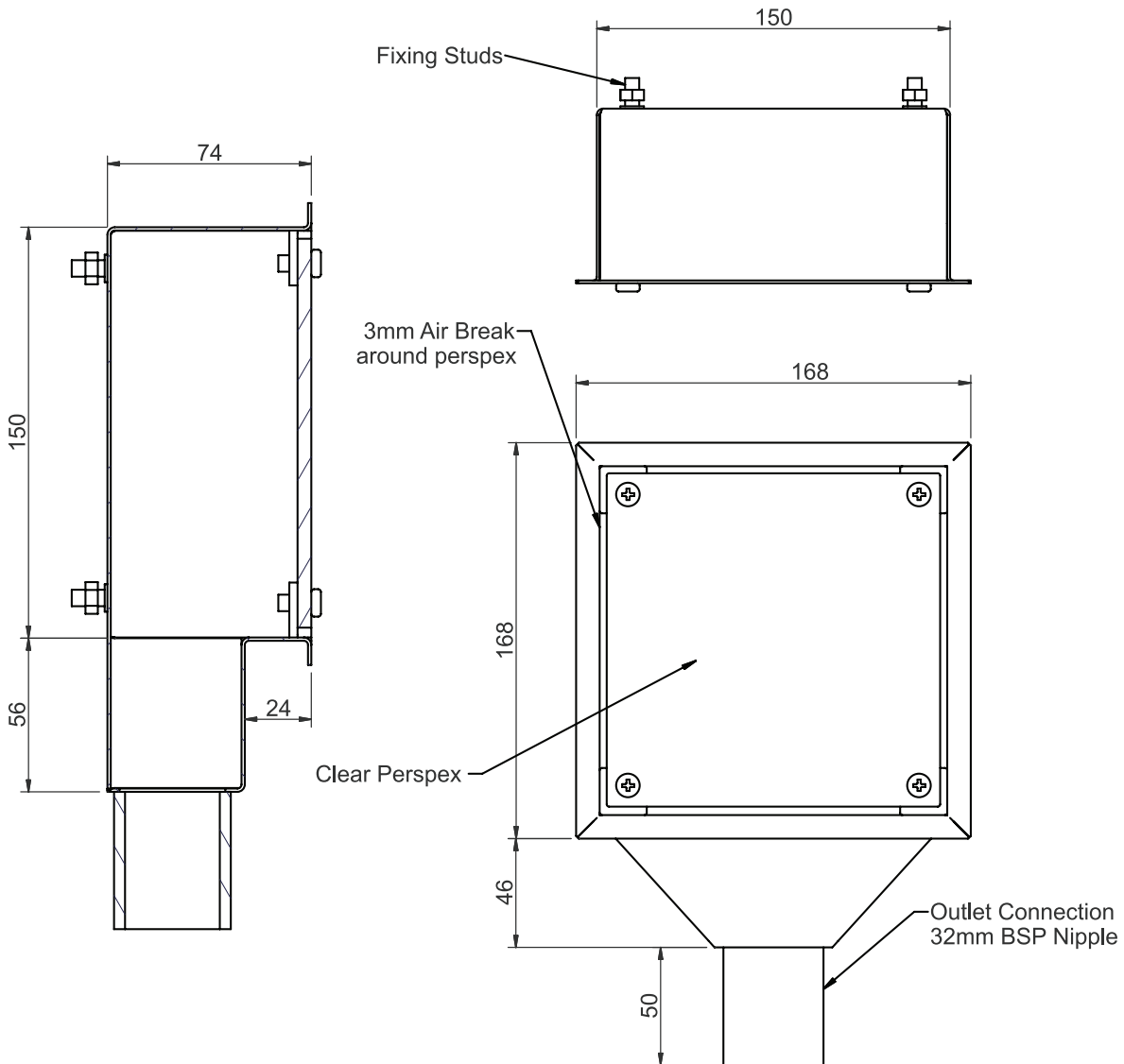
OPTIONS

- Other Face Plates Available (e.g. Solid or Letterbox Style)
- Security Fixings
- Inlet Holes to your requirements
- Design Profile is variable to suit your Special Application

TUNDISHES

RECESSED IN WALL TUNDISH

TURE1



SPECIFICATIONS

Stainless Steel Recessed in Wall Tundish Model TURE1
from Stainless Metal Craft.
Phone 02 4735 5666