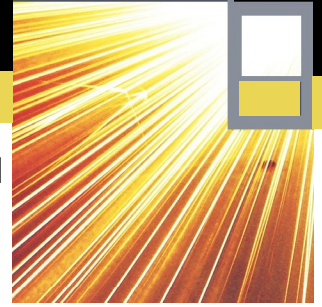
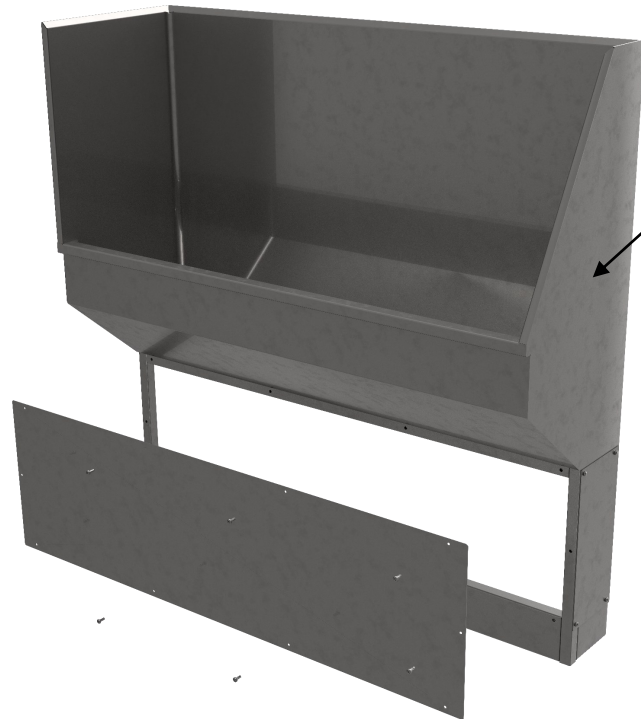


WASH TROUGHS

SCRUB UP TROUGH
 SUT1



Standard unit fitted
 between walls



Optional
 End Panel

Optional
 Support Frame with
 removable Panels

FEATURES

- Integrated Splashback
- All internal radius corner for improved hygiene
- Full Double Skinned unit for improved hygiene
- Trough Ends to Full Width & Height to protect Wall at each end
- 50mm Plug & Waste Supplied

OPTIONS

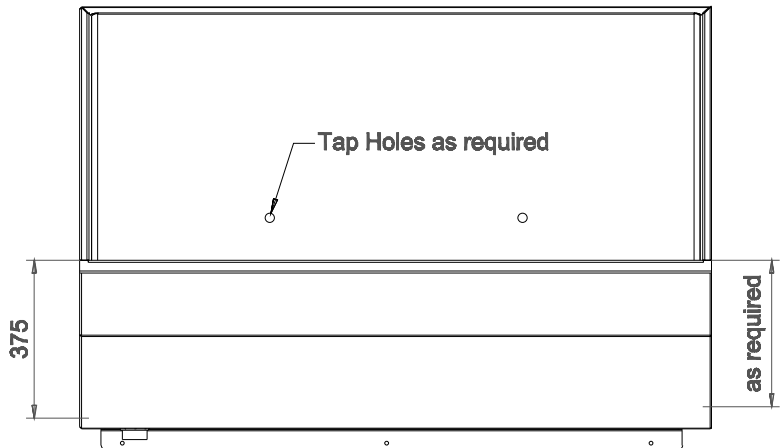
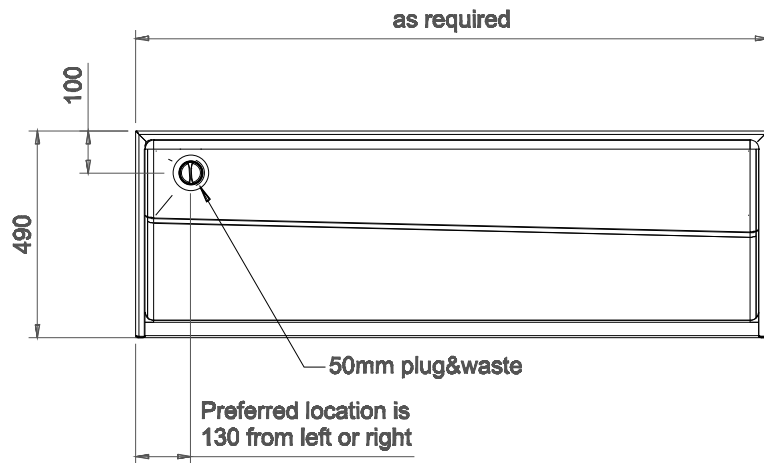
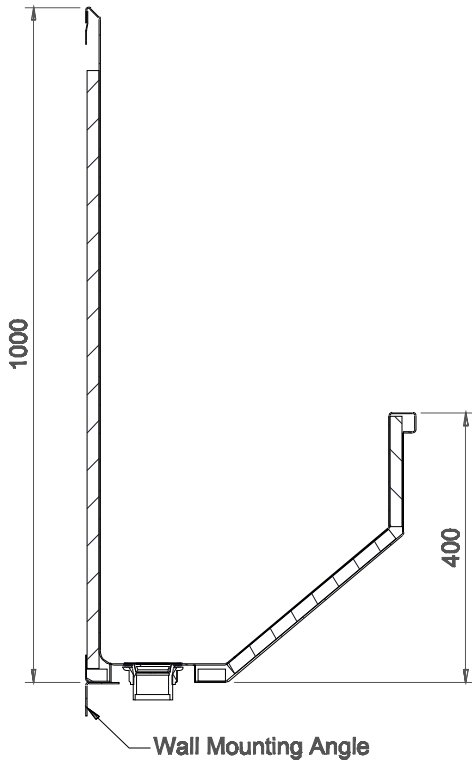
- Custom made—Length, Tapware & Drainage will vary depending on your application & Client. Please consult our Office
- Design Profile is Variable to suit your Special Application
- Available with fully sealed & enclosed ends, if no end Wall
- Mounting Frame with Removable Access Panels to conceal plumbing



WASH TROUGHS

SCRUB UP TROUGH
SUT1

Typical length for Surgical use
is to allow 800mm per person



SPECIFICATIONS

Stainless Steel Scrub Up Trough Shall be Model SUT1 from
Stainless Metal Craft
Phone 02 4735 5666