

WC PANS

SLOP HOPPER

SLH2

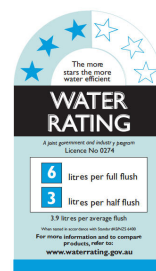


FEATURES

- High Vandal Resistance, Low Maintenance
- Hygienic Side & Rear Splashback
- Available as a 'S' or 'P' Trap
- Hinged Grate
- Watermark Approved
- 3 Star WELS Rating

OPTIONS

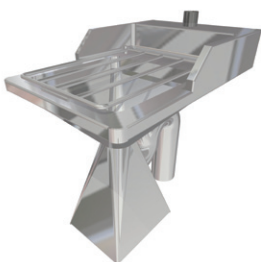
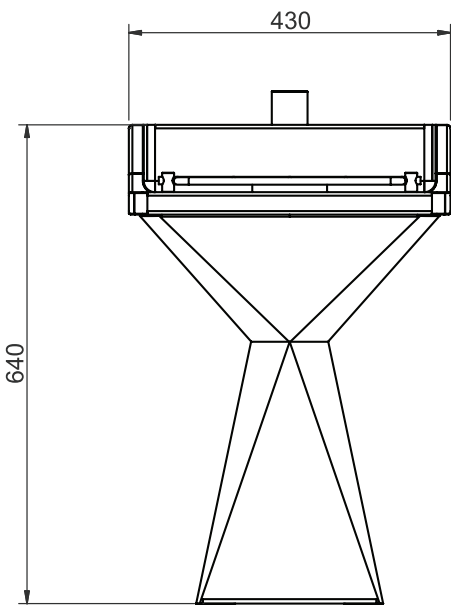
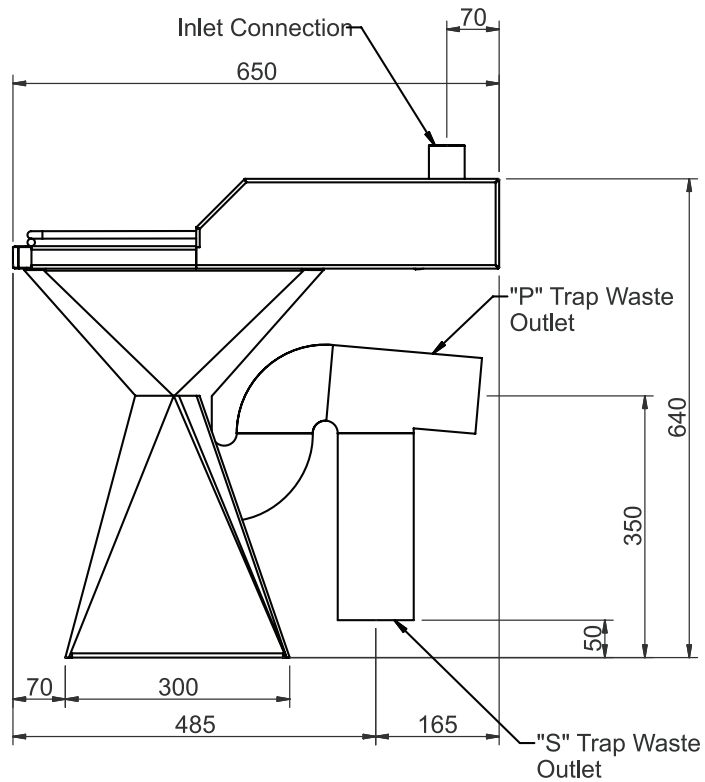
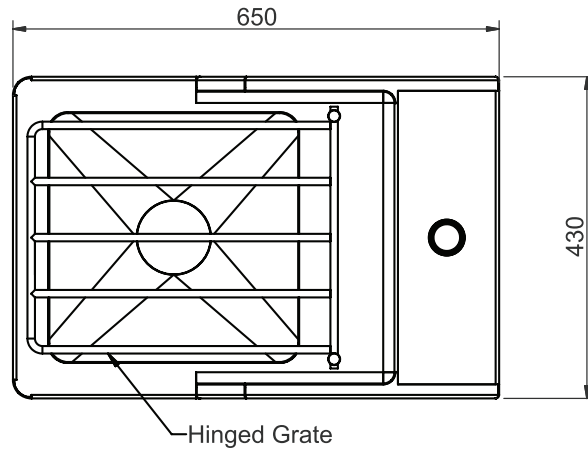
- Top Exposed BSP Inlet (as shown on SLH1P)
- Cisterns & Flush Devices



WC PANS

SLOP HOPPER

SLH2



SPECIFICATIONS

Stainless Steel Slop Hopper shall be Model SLH2S or SLH2P from Opie Manufacturing Group
Phone 02 4735 5666