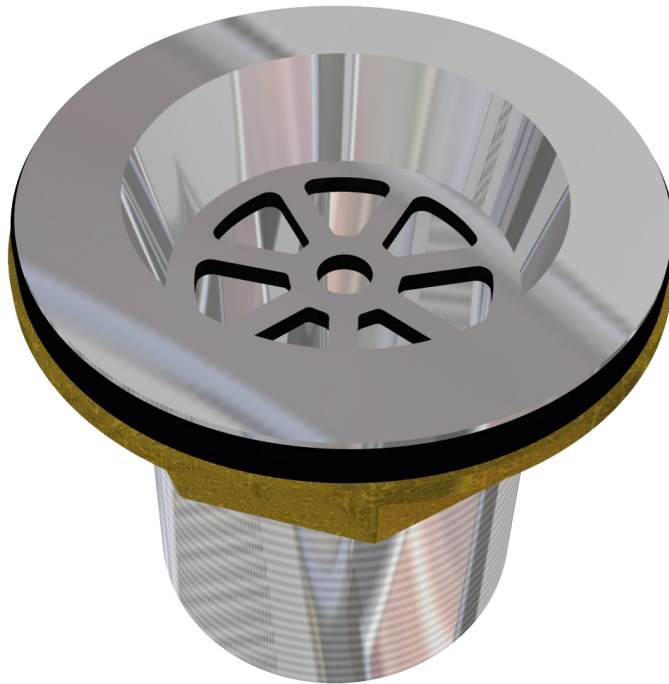


50mm PLUG & WASTE
PW50SS



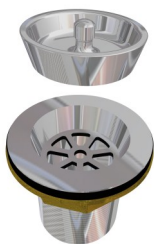
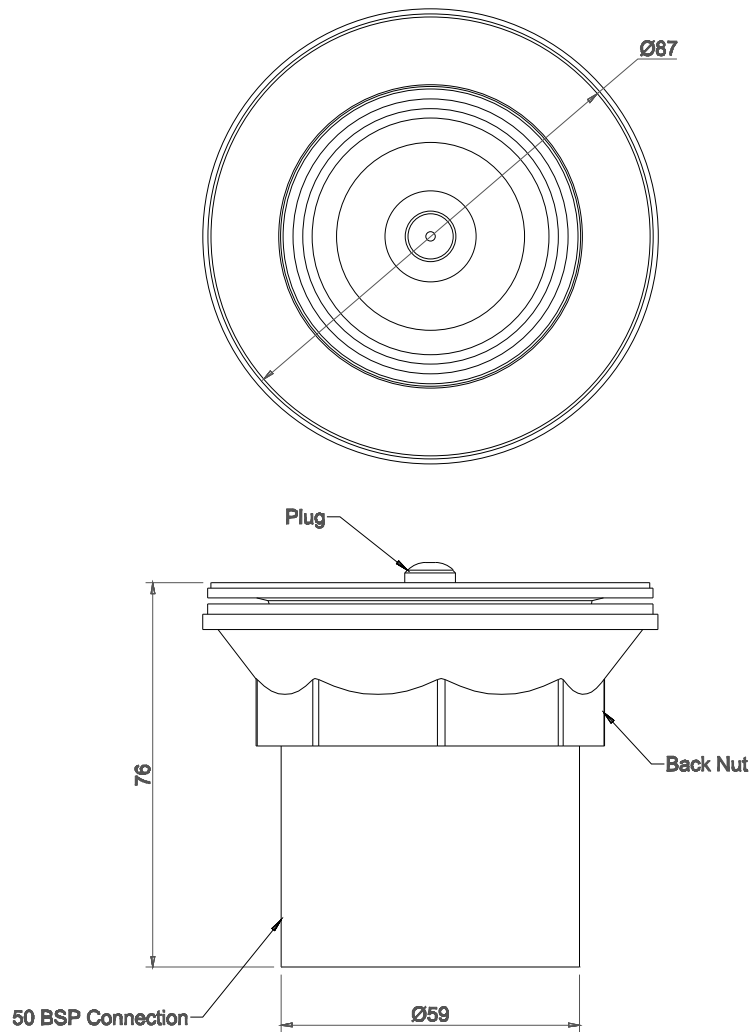
FEATURES

- Constructed from 316 Grade Stainless Steel
- Designed to be fitted into a 50mm Recessed Waste Hole

OPTIONS

WASTE TREATMENT, TRAPS & CONNECTIONS

50mm PLUG & WASTE
PW50SS



SPECIFICATIONS

Stainless Steel 50mm Pug & Waste Shall be Model PW50SS from
Stainless Metal Craft
Phone 02 4735 5666