

WASH TROUGHS

PRACTICAL ACTIVITY TROUGH

PAT1



FEATURES

- Designed for Flush Mounting into a Benchtop
- Integrated overflow outlet with 38mm Plug & Waste
- Flushline Fixing Clamps Supplied
- 50mm Plug & Waste Supplied

OPTIONS

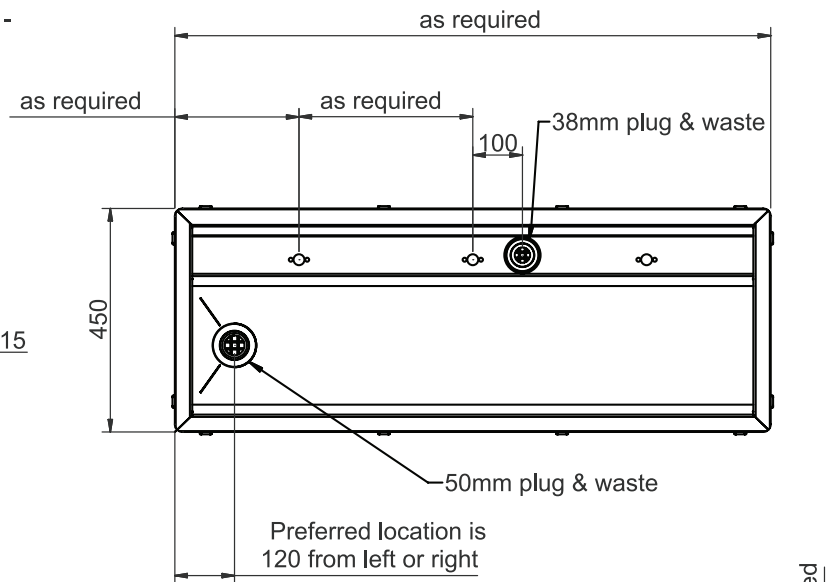
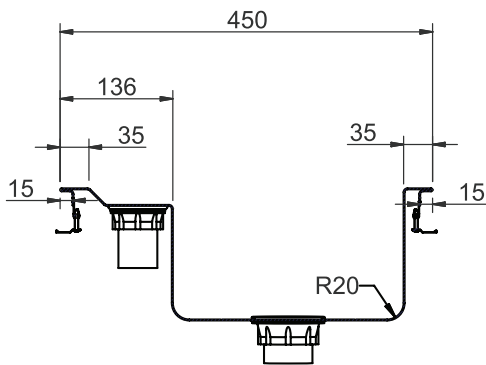
- Custom made – Length, Tapware & Drainage will vary depending on your application & Client. Please consult our Office
- Design Profile is variable to suit your Special Application
- Pre-Plumbed with your choice of Tapware

WASH TROUGHS

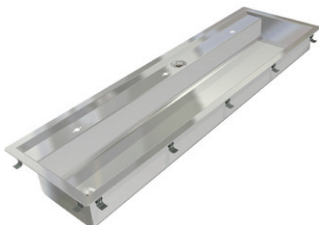
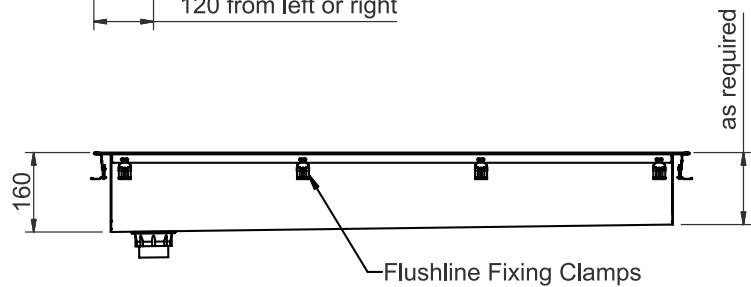
PRACTICAL ACTIVITY TROUGH

PAT1

Typical length for Schools are -
 - 1200 : 2 Taps
 - 1500 : 3 Taps
 - 1800 : 4 Taps



The Bench Top cutout size, to suit the Trough unit, is 20mm less than the overall dimensions of the trough, and with a maximum corner radius of R25mm



SPECIFICATIONS

Stainless Steel Practical Activity Trough shall be Model PAT1 from Stainless Metal Craft.
 Phone 02 4735 5666