

WASH TROUGHS

PRACTICAL ACTIVITY TROUGH

PA3



Unit Shown is a Left
Hand Hob and
Centre Waste Outlet

FEATURES

- Designed for Flush Mounting into a Benchtop
- Multi Purpose Trough which includes a rear hob for Taps & a Side Hob for Bubbler
- Integrated overflow outlet with 38mm Plug & Waste
- Flushline Fixing Clamps Supplied
- 50mm Plug & Waste Supplied

OPTIONS

- Custom made – Length, Tapware & Drainage will vary depending on your application & Client. Please consult our Office
- Hob available at Left or Right Hand side.
- Design Profile is variable to suit your Special Application
- Pre-Plumbed with your choice of Tapware

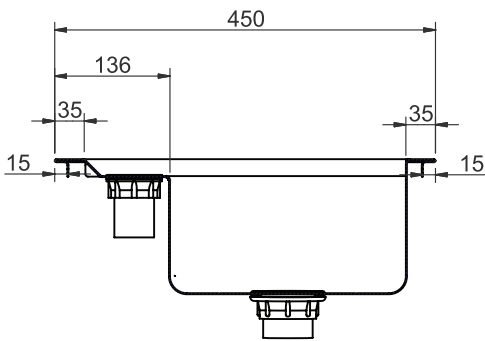
WASH TROUGHS

PRACTICAL ACTIVITY TROUGH

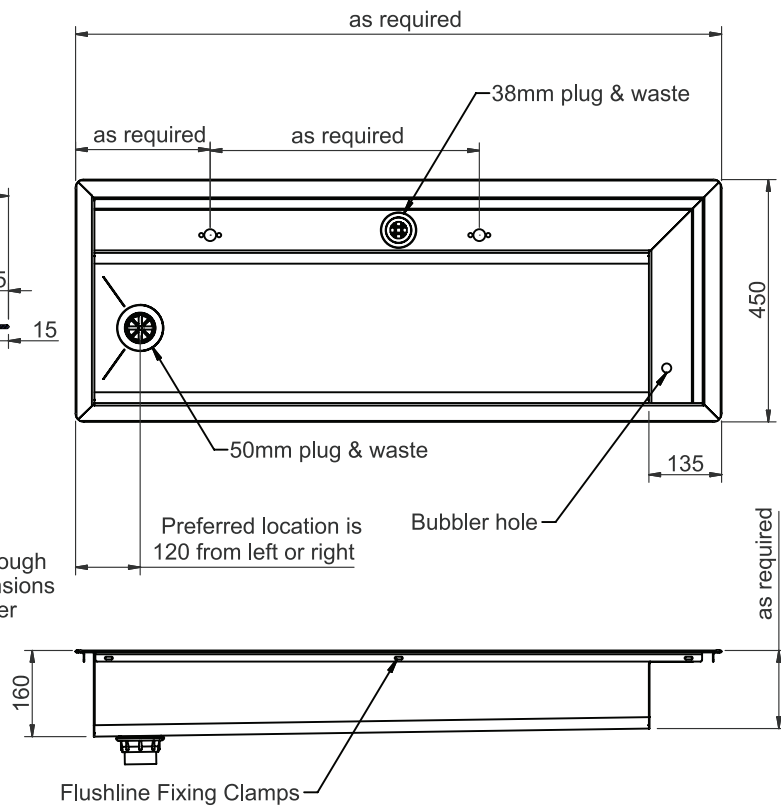
PA3

Typical layout shown
 with a right hand hob.

Typical length for Schools are -
 - 1200 : 2 Taps
 - 1500 : 2 Taps
 - 1800 : 3 Taps



The Bench Top cutout size, to suit the Trough unit, is 20mm less than the overall dimensions of the Trough, and with a maximum corner radius of R25mm



SPECIFICATIONS

Stainless Steel Practical Activity Trough shall be Model PA3 from Stainless Metal Craft.
 Phone 02 4735 5666