

WASH TROUGHS

PRACTICAL ACTIVITY TROUGH

PA2



FEATURES

- Designed for Flush Mounting into a Benchtop
- Flushline Fixing Clamps Supplied
- 50mm Plug & Waste Supplied

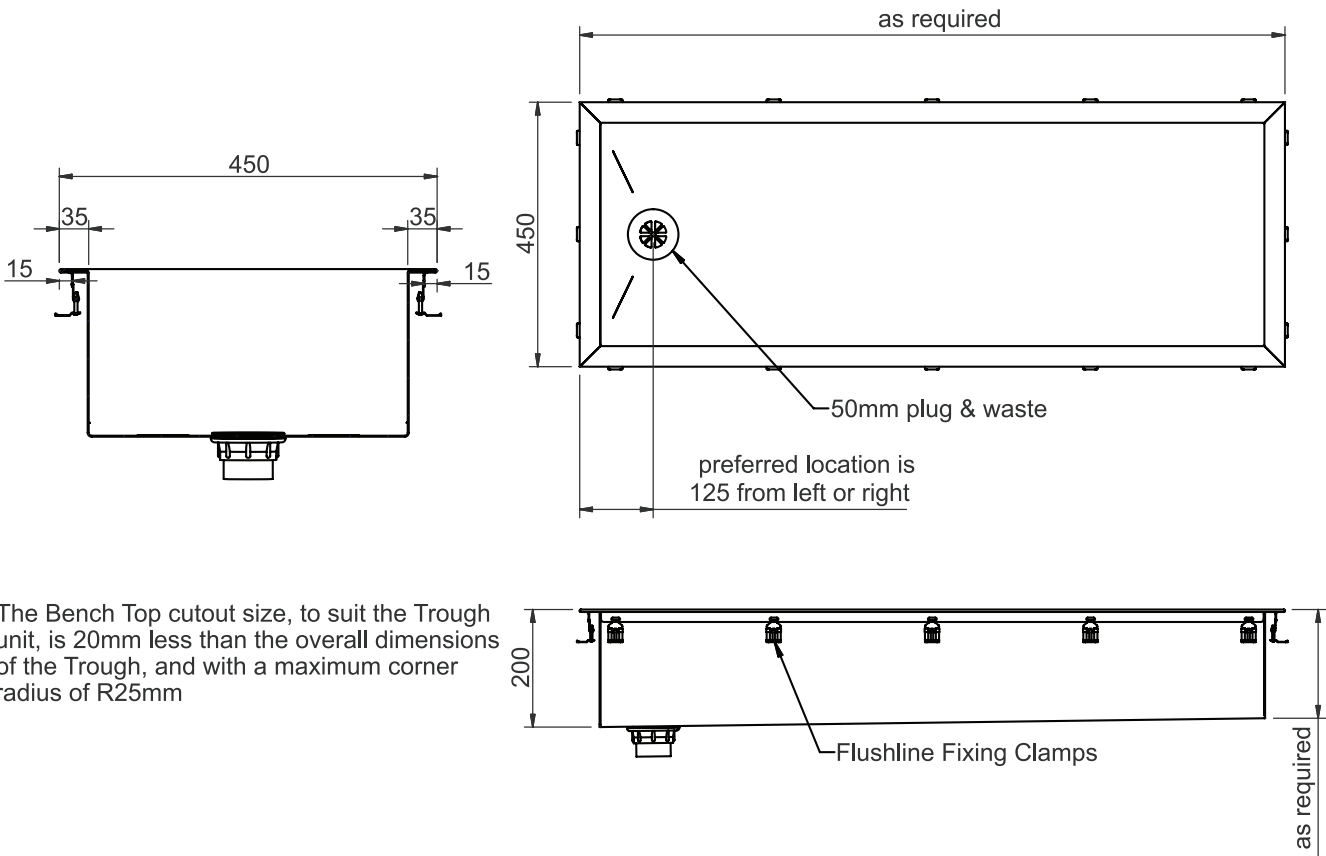
OPTIONS

- Custom made – Length & Drainage will vary depending on your application & Client. Please consult our Office
- Design Profile is variable to suit your Special Application

WASH TROUGHS

PRACTICAL ACTIVITY TROUGH

PA2



The Bench Top cutout size, to suit the Trough unit, is 20mm less than the overall dimensions of the Trough, and with a maximum corner radius of R25mm



SPECIFICATIONS

Stainless Steel Practical Activity Trough shall be Model PA2 from Stainless Metal Craft.
Phone 02 4735 5666