

SINK & BASKET WASTES

BASKET WASTE

ISW50



FEATURES

- Designed to be fitted into a 50mm Designer Waste Recessed Hole
- Easily retro fit into existing Sinks
- Supplied with Plug & Removable Basket

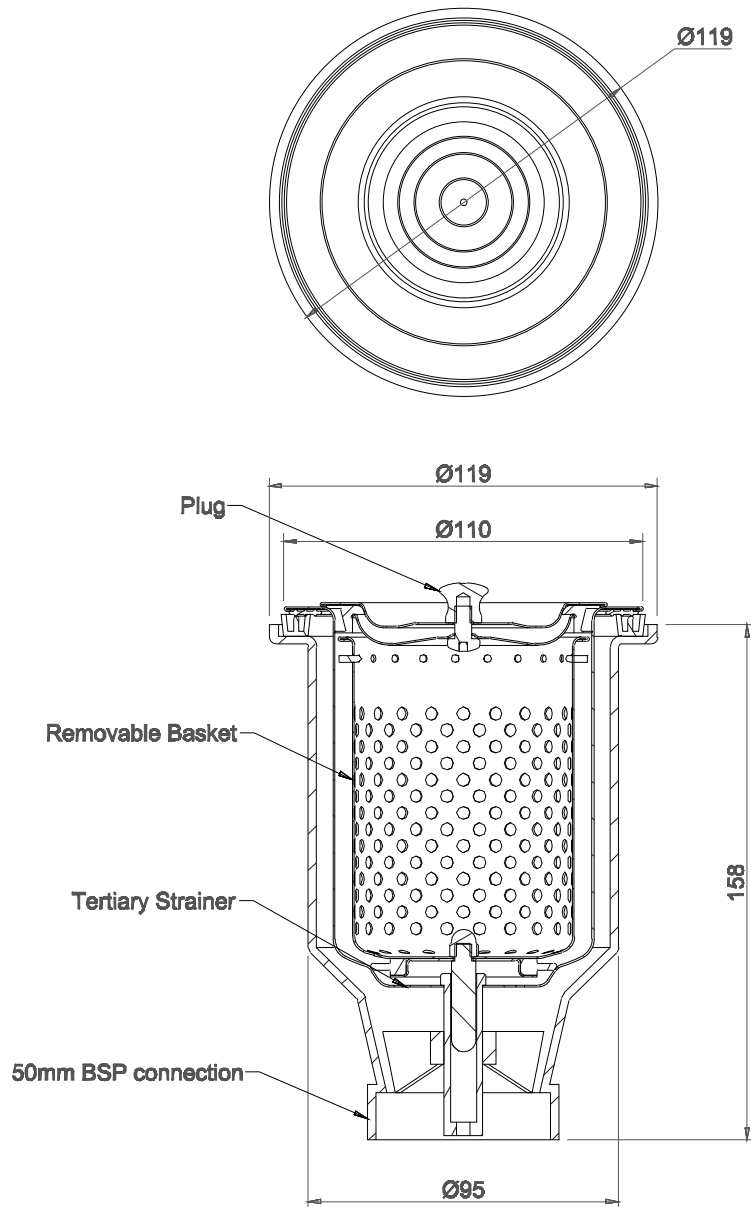
OPTIONS

- Silt Basket
- Fine Mesh Basket

SINK & BASKET WASTES

BASKET WASTE

ISW50



SPECIFICATIONS

Stainless Steel BASKET WASTE Shall be Model
ISW50 from Stainless Metal Craft
Phone 02 4735 5666