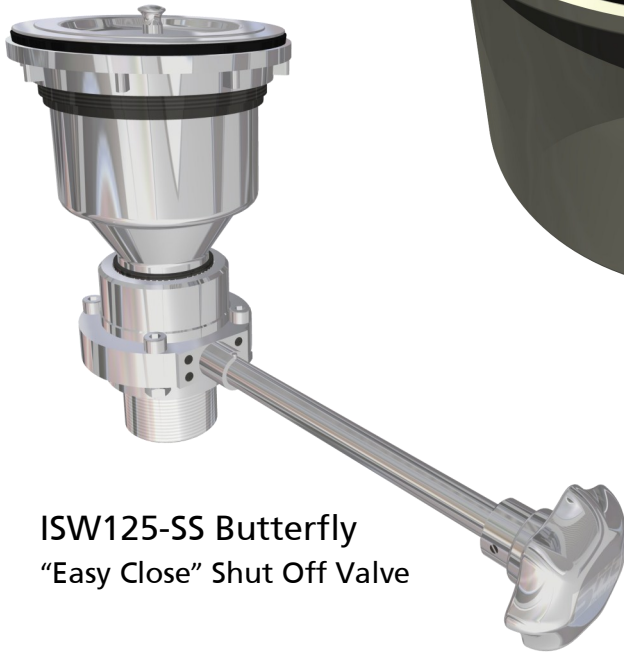


BASKET WASTE
ISW125

ISW125-PP
Plastic Body



ISW125-SS Butterfly
"Easy Close" Shut Off Valve



ISW125-SS
Stainless Steel



FEATURES

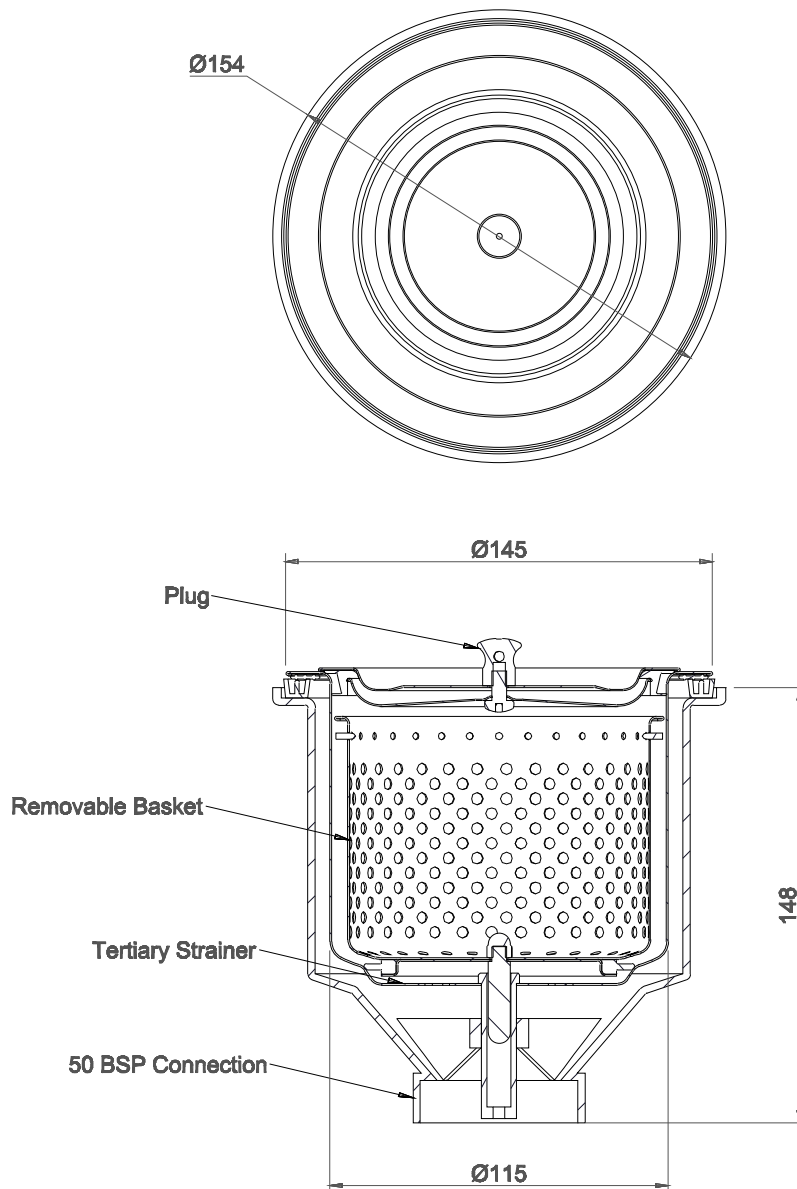
- Designed to be fitted into a 127mm Recessed Waste Hole
- Easily Retro fit into Existing Sinks
- Supplied with Plug & Removable Basket

OPTIONS

- Silt Basket
- Fine Mesh Basket
- Full Stainless Steel Unit—Use Code ISW125-SS
- Butterfly Valve—Easy Close Shut Off Valve

BASKET WASTE

ISW125



SPECIFICATIONS

The Basket Waste Shall be Model isw125 from
Stainless Metal Craft
Phone 02 4735 5666