



HANDRAILS & DISABLED RAILS

GRAB RAIL DISABLED

GR1428C

Unit Shown is a
Right Hand Disabled Rail



Unit Shown is a
Left Hand Disabled Rail



FEATURES

- Complies with AS1428 for use in a Disabled Persons WC
- Use this One Piece Rail when using an In-Wall Cistern
- Large 38mm Diameter Rail for Easier Grip
- Flanges have Clip on Covers to Conceal Fixings

OPTIONS

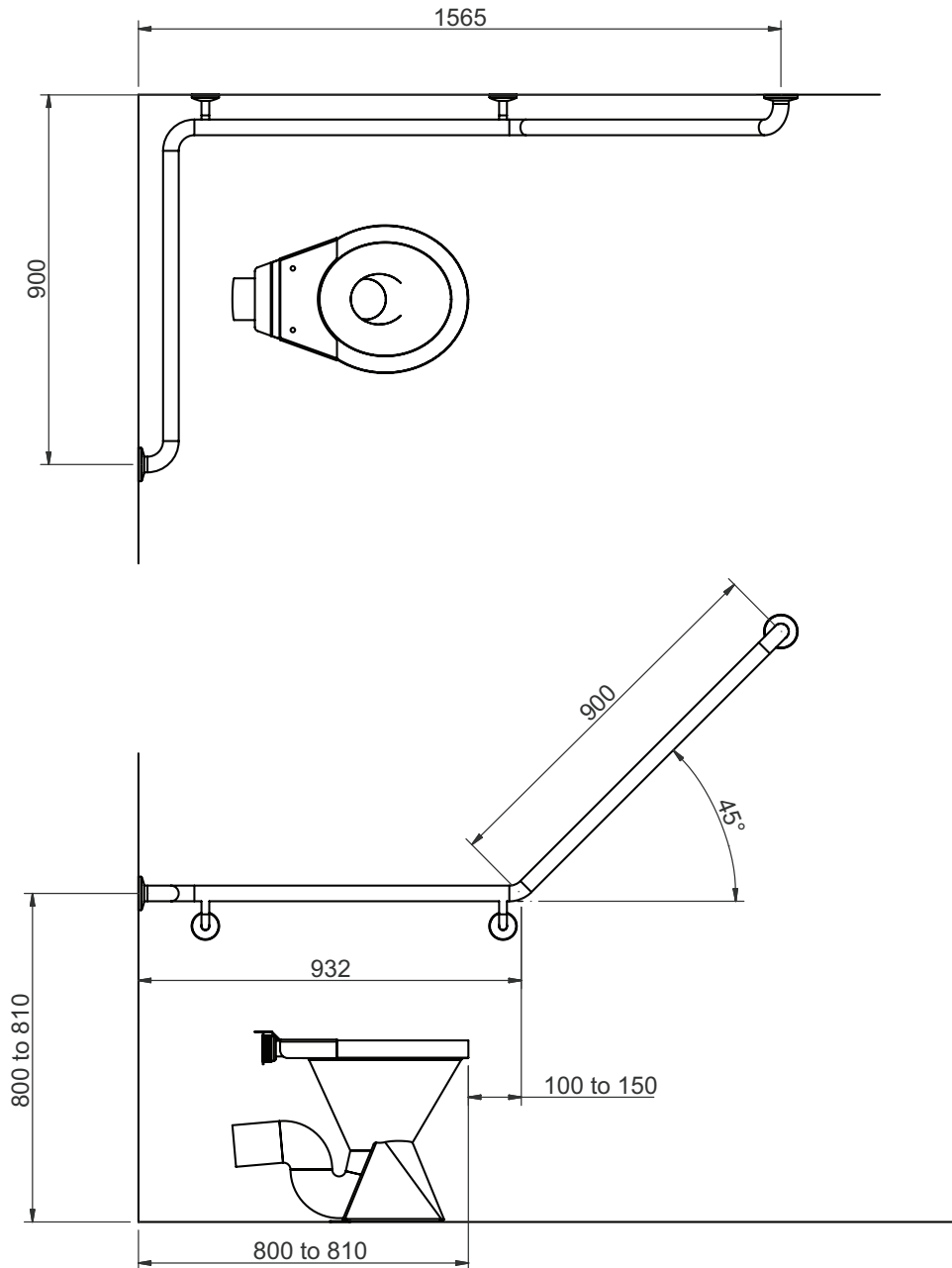
- Non Slip Finish
- Variable for Length, Diameter & Shape depending on your application & Client. Please consult our Office



HANDRAILS & DISABLED RAILS

GRAB RAIL DISABLED

GR1428C



SPECIFICATIONS

Stainless Steel Grab Rail shall be Model GR1428C
from Stainless Metal Craft.
Phone 02 4735 5666