



Stainless Metal Craft (Aust) Ptd Ltd
6 Bromley Road, Emu Plains NSW 2750
P. 02 4735 5666 F. 02 4735 7950
E. info@smcstainless.com.au
www.smcstainless.com.au

WASTE TREATMENT, TRAPS & CONNECTIONS

FISH SCALE TRAP

FST1



FEATURES

- Removable Filter Basket
- Perforated Fixed Screen over Outlet
- Inlet Zone for Sink Waste Pipe
- 50mm BSP Outlet Connection
- Removable Lid for Cleaning

OPTIONS

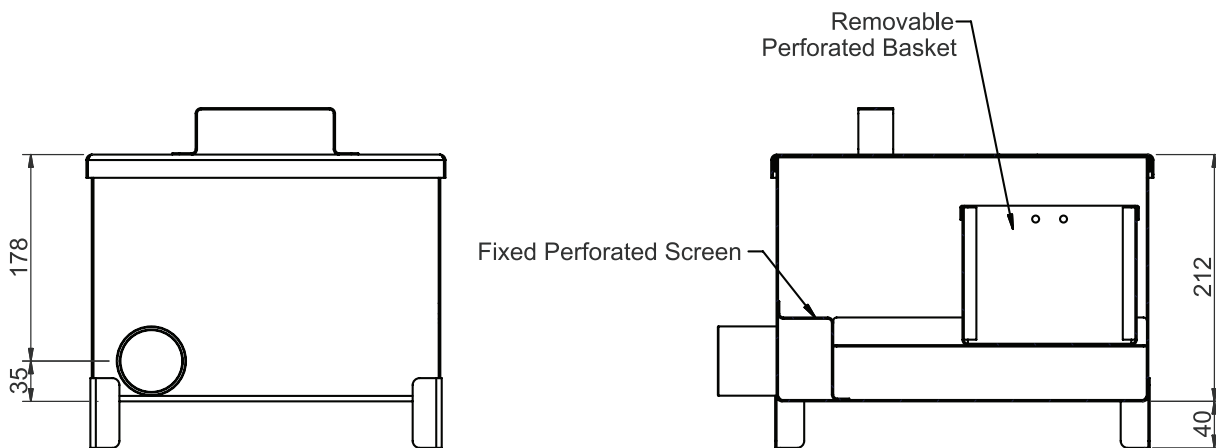
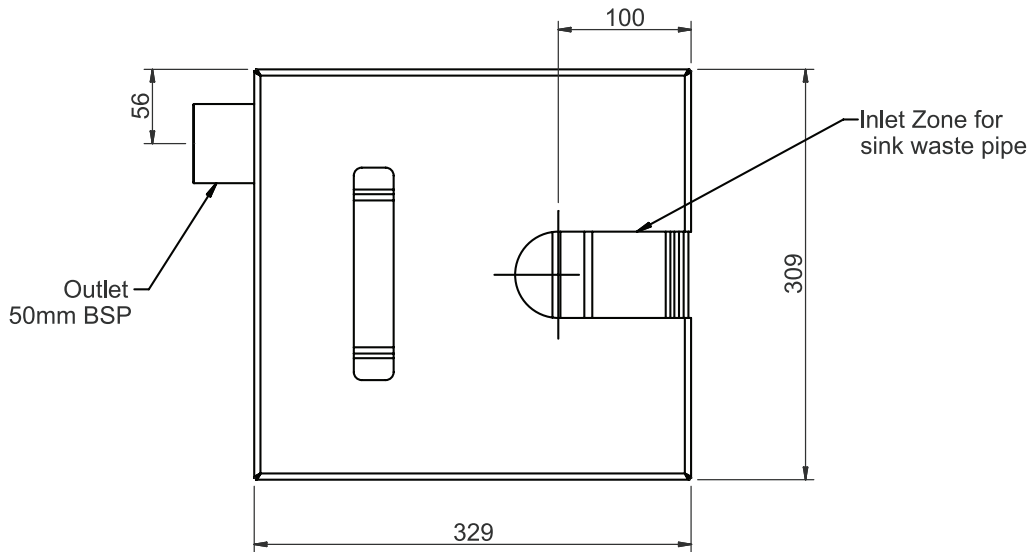
- Design Profile is variable to suit your Special Application



WASTE TREATMENT, TRAPS & CONNECTIONS

FISH SCALE TRAP

FST1



SPECIFICATIONS

Stainless Steel Fish Scale Trap shall be Model FST1 from Stainless Metal Craft.
Phone 02 4735 5666