

## WASH TROUGHS

## FLUSHLINE TROUGH

FLT1



## FEATURES

- Designed for Flush Mounting into a Benchtop
- Flushline Fixing Clamps Supplied
- 50mm Plug & Waste Supplied

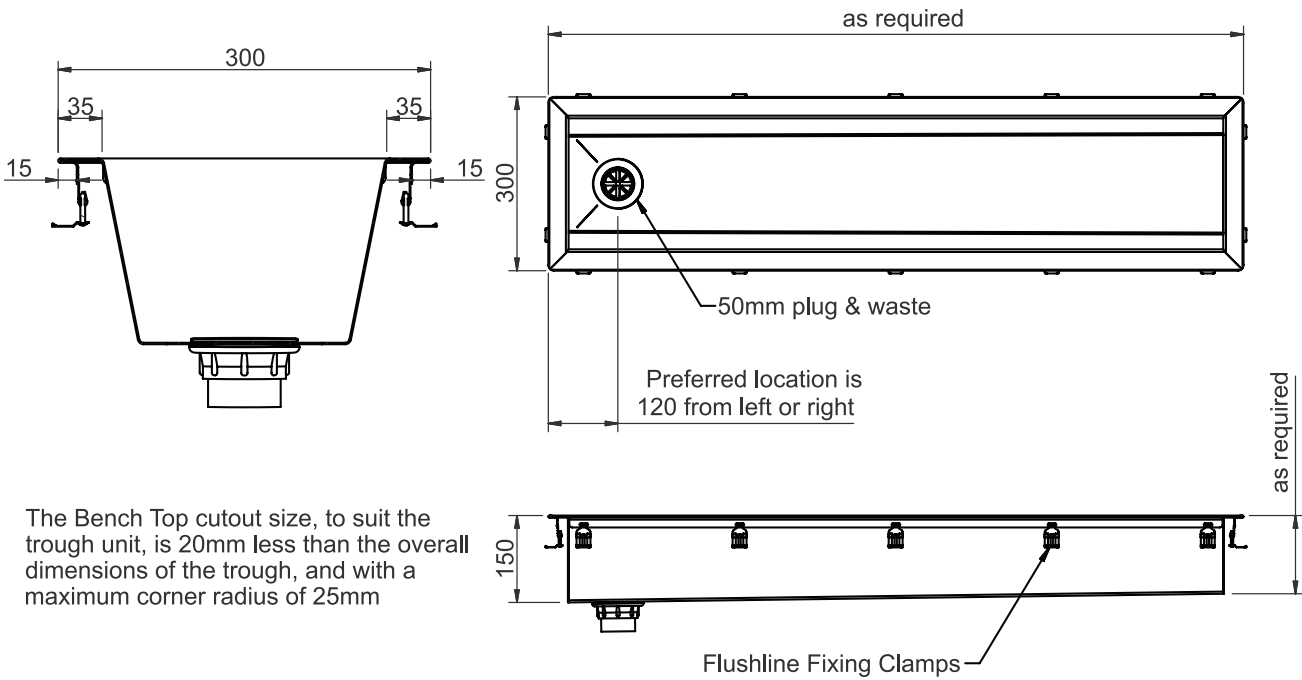
## OPTIONS

- Custom made - Length & Drainage will vary depending on your application & Client. Please consult our Office
- Design Profile is variable to suit your Special Application

WASH TROUGHS

FLUSHLINE TROUGH

FLT1



The Bench Top cutout size, to suit the trough unit, is 20mm less than the overall dimensions of the trough, and with a maximum corner radius of 25mm



SPECIFICATIONS

Stainless Steel Flushline Trough shall be Model FLT1 from Stainless Metal Craft.  
Phone 02 4735 5666