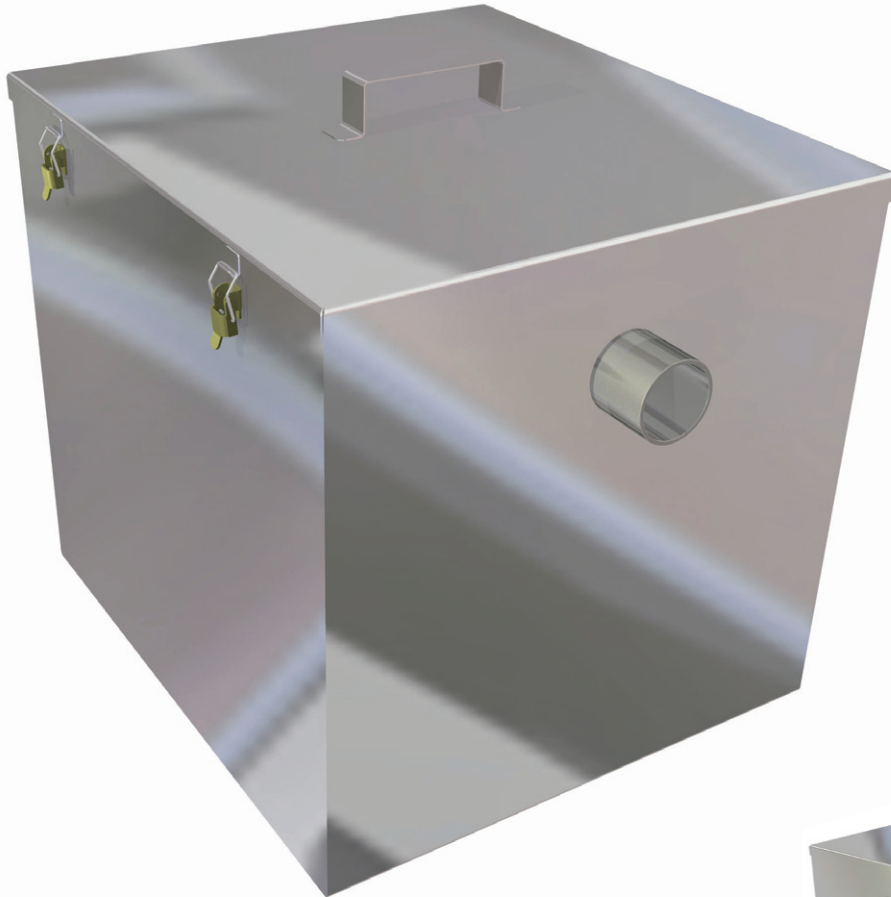


## DILUTION TANK

DT1-



Unit Shown  
With Optional  
Support Frame



### FEATURES

- Surge Flow Baffle
- 50mm BSP Inlet & Outlet Connections
- Removable Lid for Cleaning
- Latches fitted to the Removable Lid

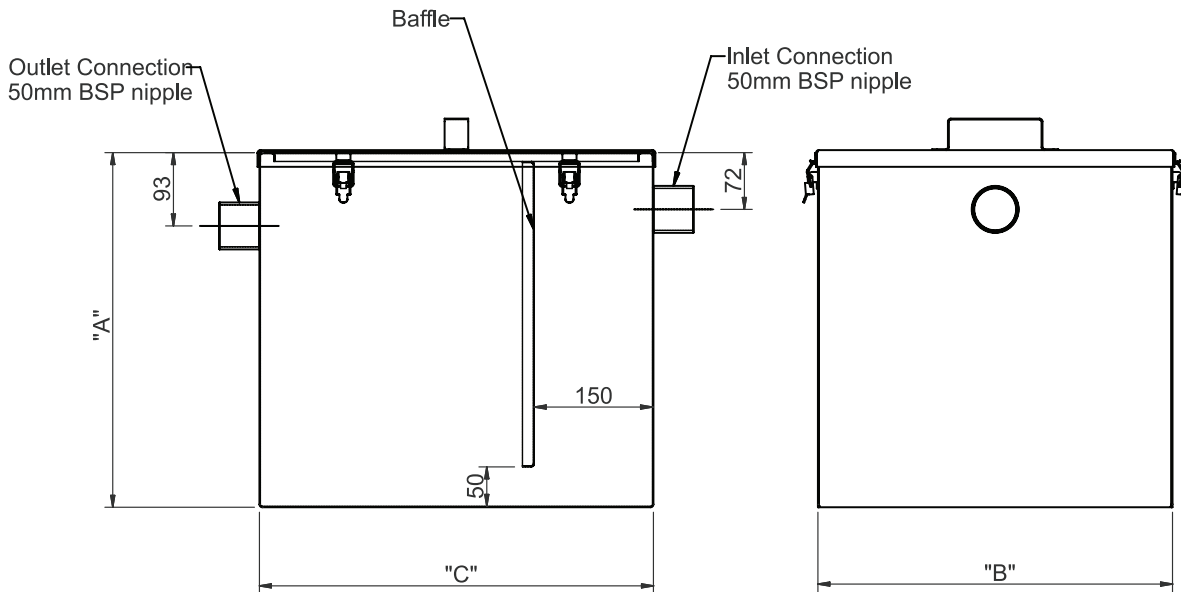
### OPTIONS

- Design Profile is variable to suit your Special Application
- Tank Support Frame

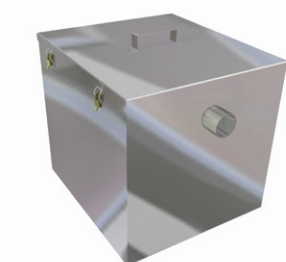
WASTE TREATMENT, TRAPS & CONNECTIONS

DILUTION TANK

DT1-



Model	"A"	"B"	"C"	LITRES
DT1-50	450	350	450	55
DT1-75	450	450	500	75
DT1-100	450	500	600	100
DT1-150	550	600	600	155



SPECIFICATIONS

Stainless Steel Bucket Sink shall be Model DT1 -(50, 75, 100, 150) from Stainless Metal Craft.  
 Phone 02 4735 5666