

**COMBINATION PAN & BASIN**  
**CP1M3453**

Unit Shown Fully Optioned

**FEATURES**

- In Built Dual Flush Cistern
- Integrated Hand Basin
- Anti-Contraband Flushing Rim
- Standard 'P' Trap Waste, available with Adjustable 'S' Trap Connection
- Watermark Approved
- 4 Star WELS Rating

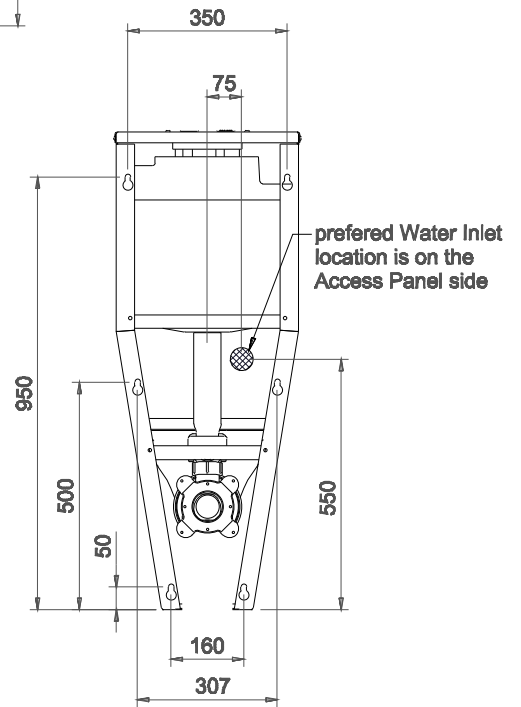
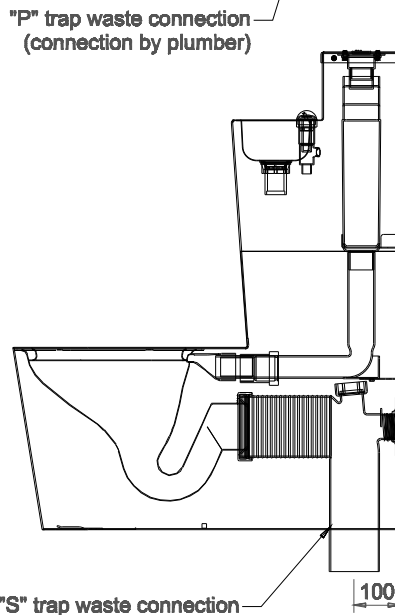
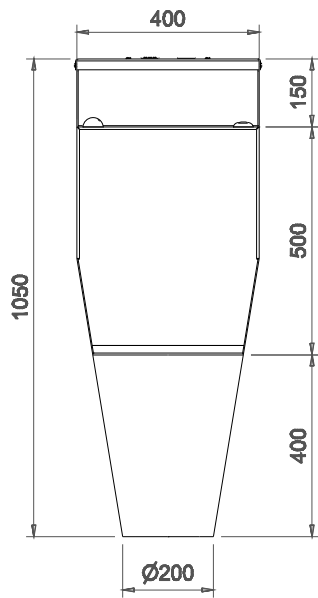
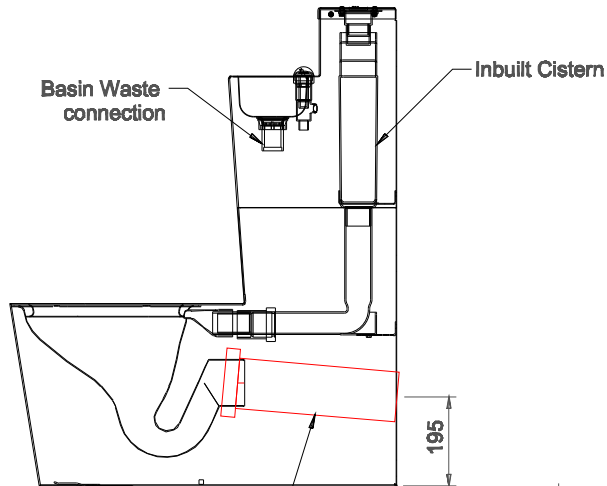
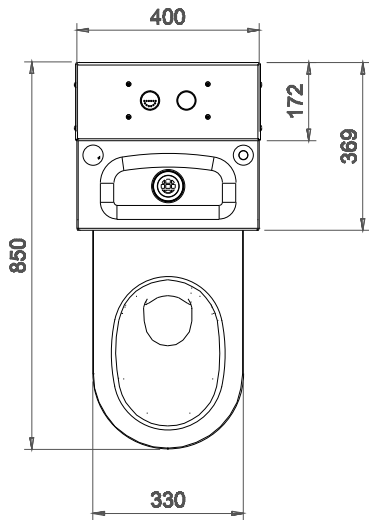
**OPTIONS**

- Heavy Duty Construction—3 & 2mm thick Material for Security—Vandal Resistant
- Detention flush devices can be pre-fitted for ease of installation
- Access Panel to suit Services & Fixings
- Inbuilt Toilet Roll Holder
- Toilet Seats



WC PANS

COMBINATION PAN & BASIN  
 CP1M3453



**SPECIFICATIONS**

Stainless Steel Combination Pan & Basin Shall be Model CP1M3453  
 Opie Manufacturing Group  
 Phone 02 4735 5666