

BUCKET TRAP (WELD IN)
AT2-WELD



FEATURES

- Stainless Steel Grade 304
- Designed to be welded into other Stainless Steel Products
- Removable Basket
- Fixed Tertiary Strainer prevents solids discharge to Sewer

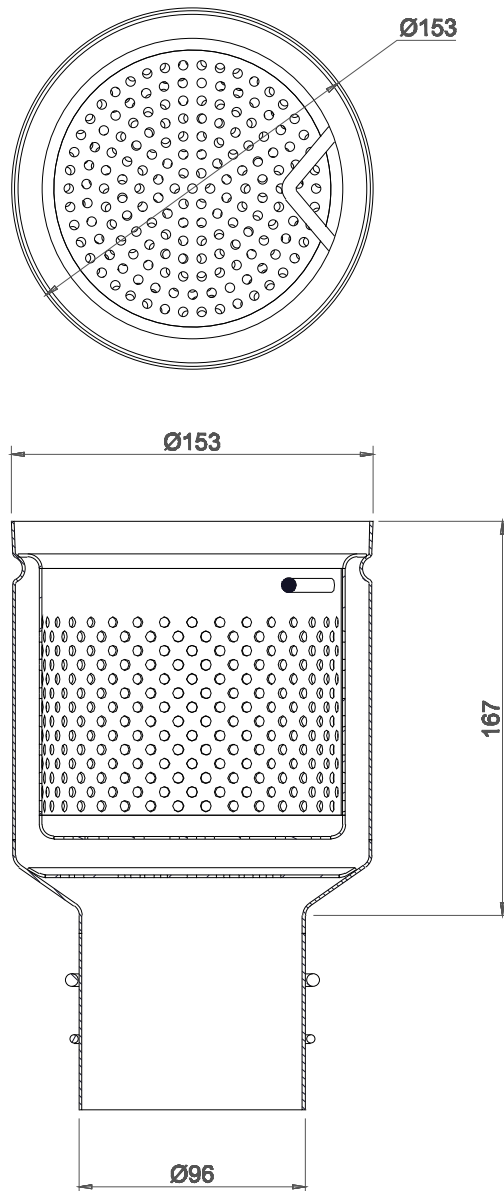
OPTIONS

- Available with Silt / Sediment Baskets
- Wired in Basket to minimise Basket Loss & also Ensure Basket Use



DRAINS, SUMPS & GRATES

BUCKET TRAP (WELD IN)
AT2-WELD



SPECIFICATIONS

Stainless Steel Bucket Trap (Weld In) Shall be Model AT2-WELD from
Opie Manufacturing Group
Phone 02 4735 5666