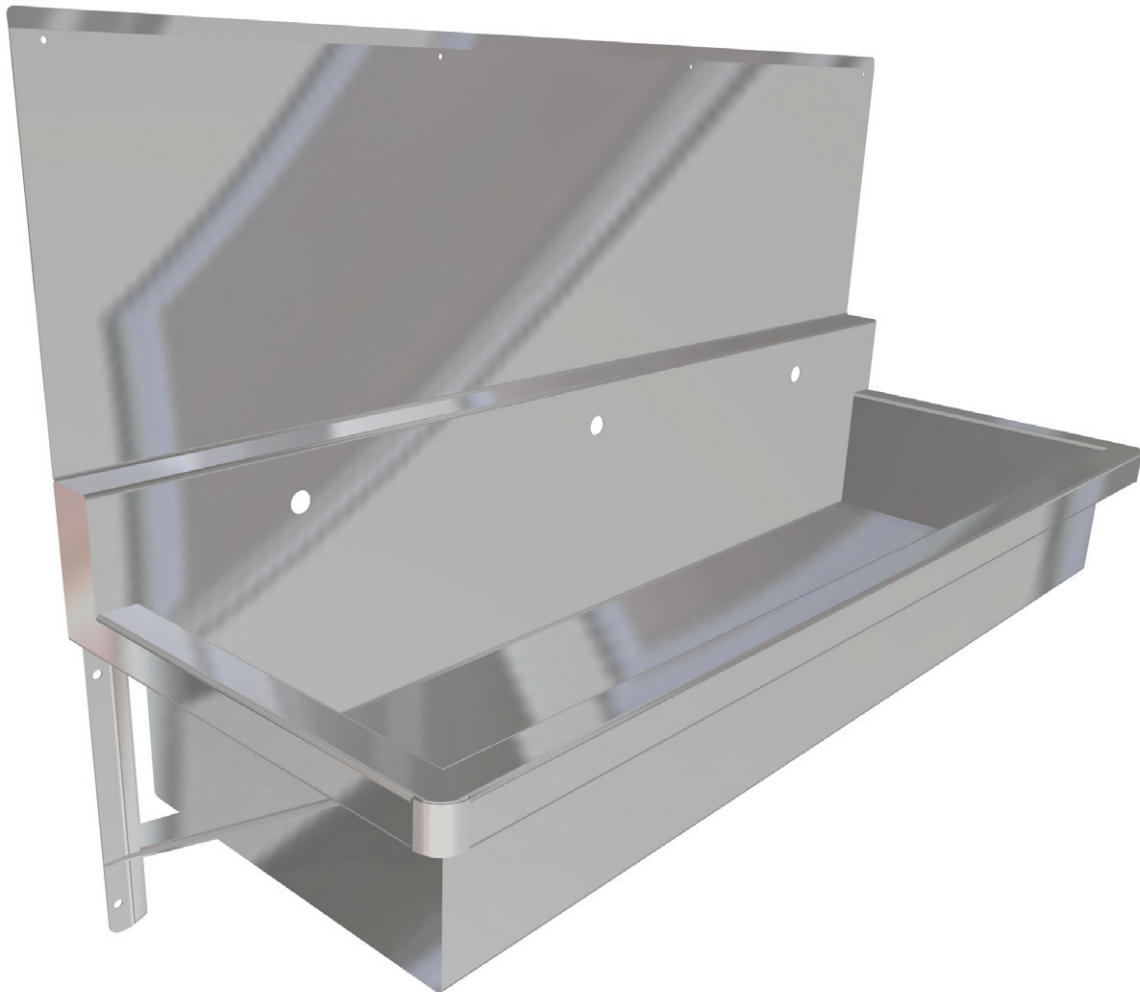


WASH TROUGHS

ART TROUGH

ART1



FEATURES

- Integrated High Splashback
- Radiused Corners to Front Fascia
- Inbuilt duct for plumbing
- Wall Mounting Brackets Supplied
- 50mm Plug & Waste Supplied

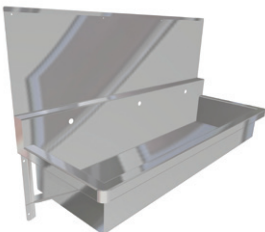
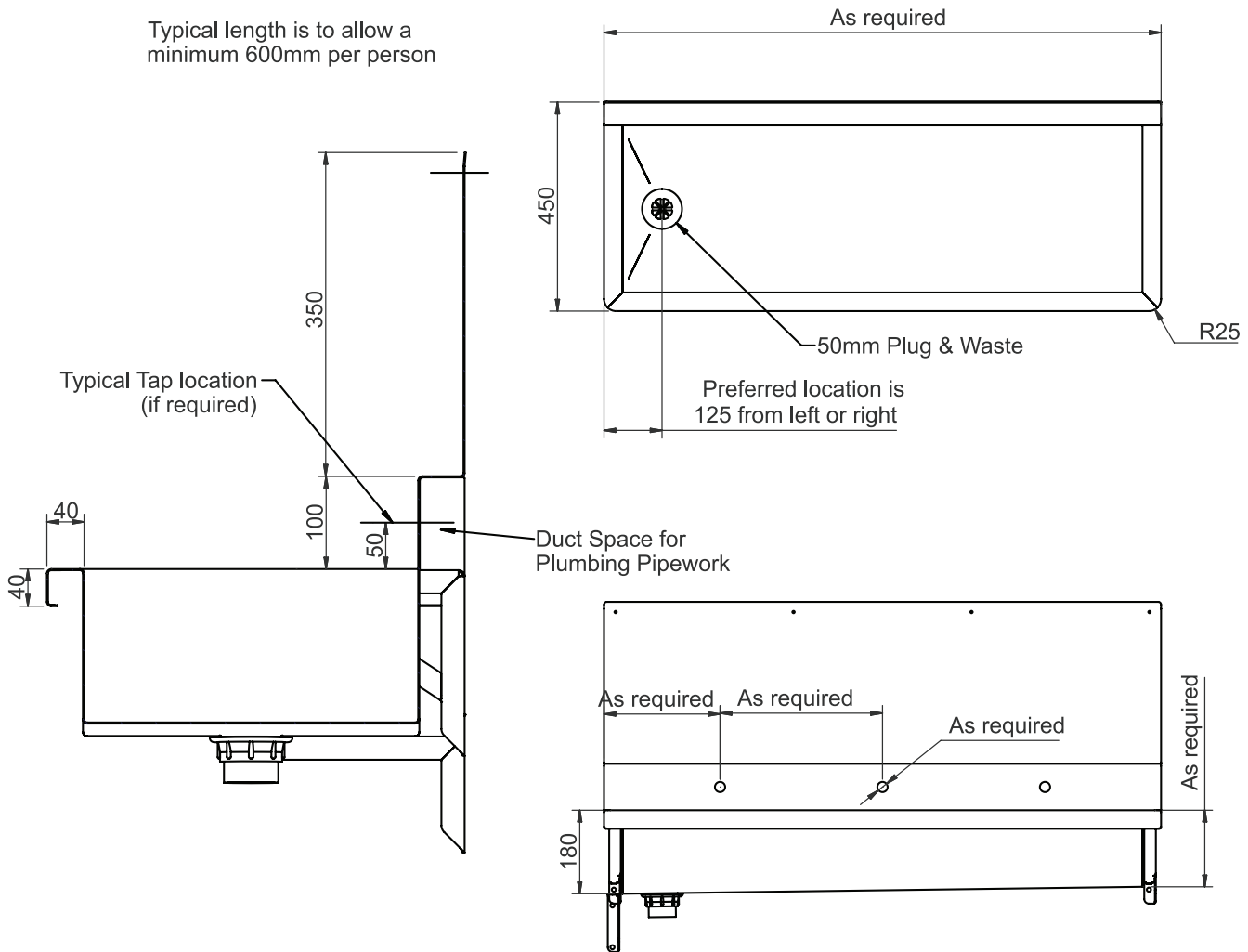
OPTIONS

- Custom made - Length, Tapware & Drainage will vary depending on your application & Client. Please consult our Office
- Design Profile is variable to suit your Special Application
- Pre-Plumbed with your choice of Tapware

WASH TROUGHS

ART TROUGH
 ART1

Typical length is to allow a minimum 600mm per person



SPECIFICATIONS

Stainless Steel Art Trough shall be Model ART1 from Stainless Metal Craft.
 Phone 02 4735 5666